



HESTORE.HU

elektronikai alkatrész áruház

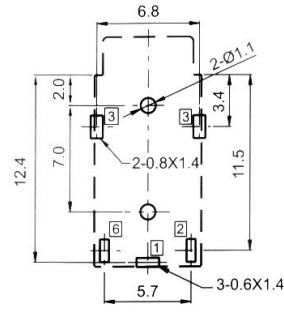
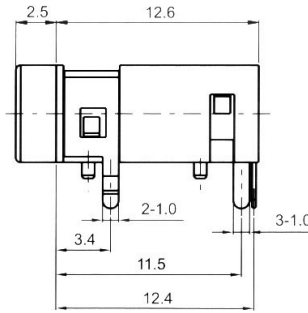
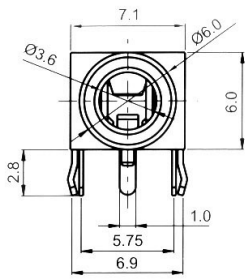
EN: This Datasheet is presented by the manufacturer.

Please visit our website for pricing and availability at www.hestore.hu.

CLIFF

3.5mm 4 Pole Jack Sockets

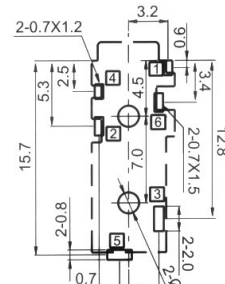
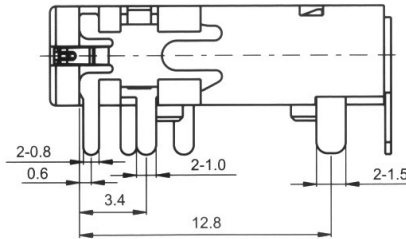
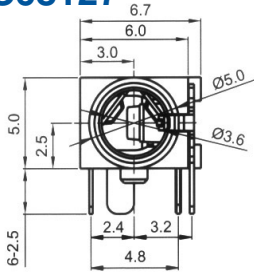
FC68125



P.C.B LAYOUT
BOTTOM VIEW

Model No.	FC68125
Schematic	

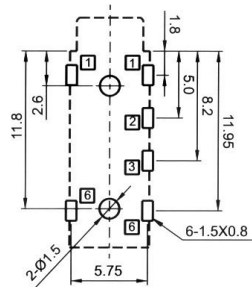
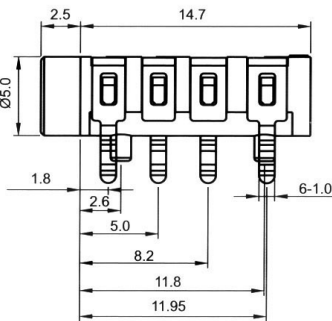
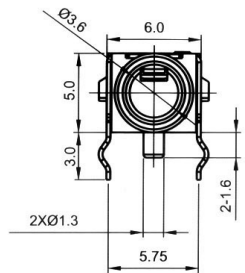
FC68126, FC68127



P.C.B LAYOUT
BOTTOM VIEW

Model No.	Schematic
FC68126	
FC68127	

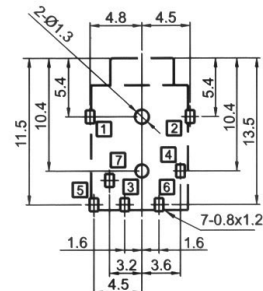
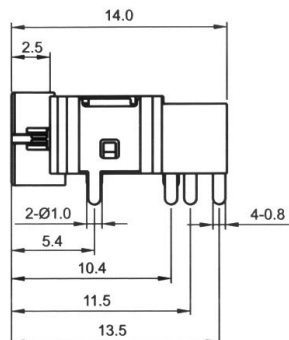
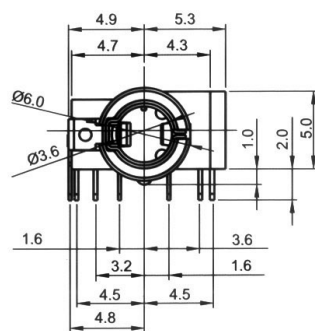
FC68128



P.C.B LAYOUT
TOP VIEW

Model No.	FC68128
Schematic	

FC68129



P.C.B LAYOUT
BOTTOM VIEW

Model No.	Schematic
FC68129	



FC68124 - 3.5mm 4 pole Jack Plug, Assembly type.

Note: This plug is not to be used with FC68128

