



HESTORE.HU

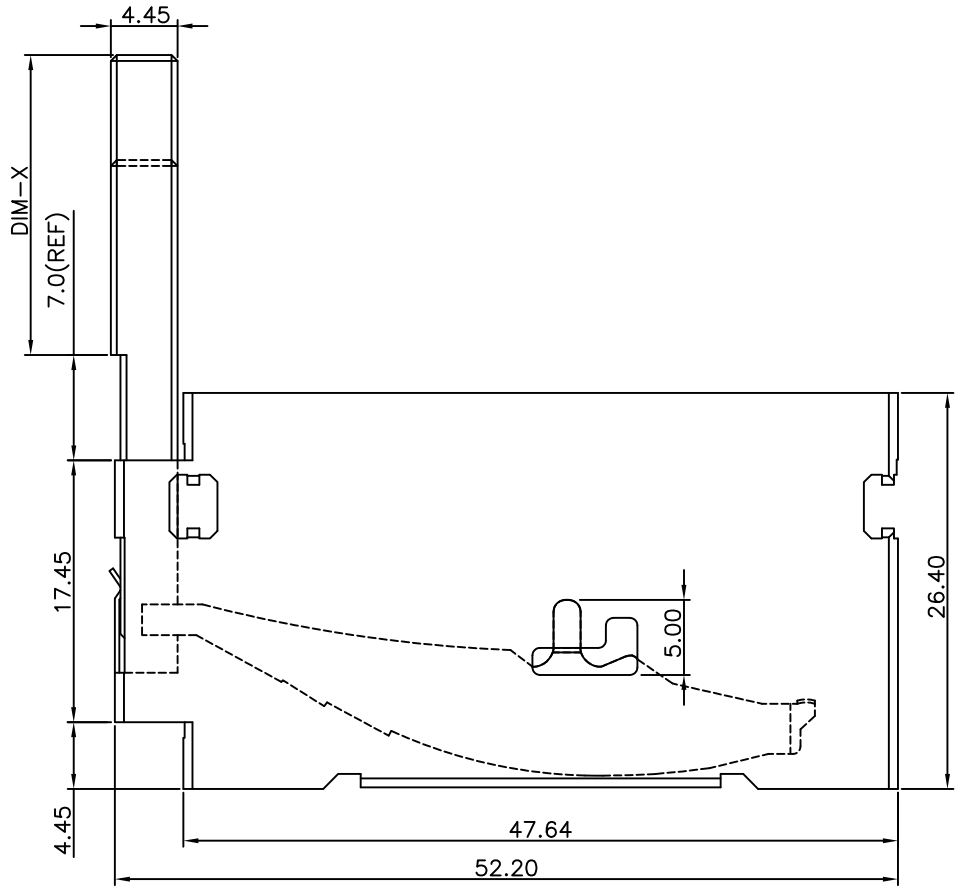
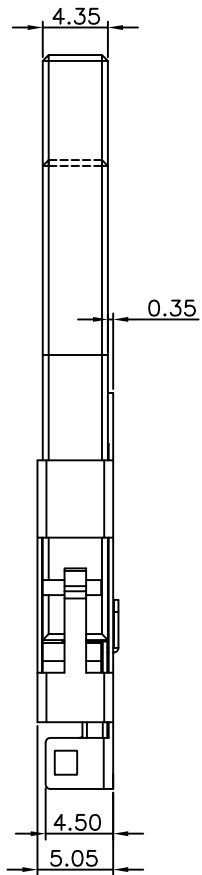
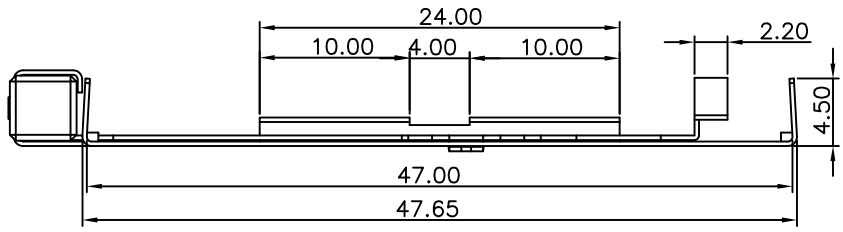
elektronikai alkatrész áruház

EN: This Datasheet is presented by the manufacturer.

Please visit our website for pricing and availability at www.hestore.hu.

1 2 3 4 5 6 7 8 9 10

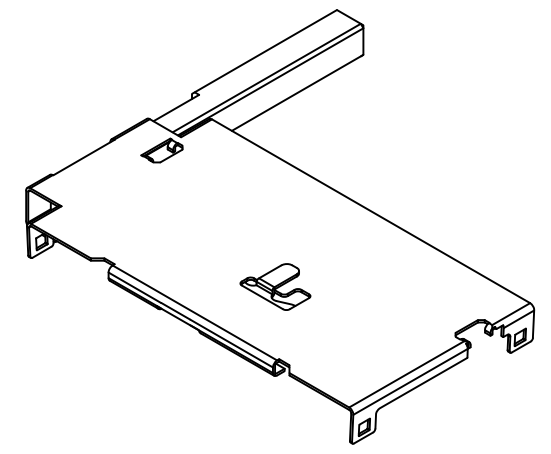
G
F
E
D
C
B
A



MATERIAL
 Push Button: Thermal Plastic
 UL94V-0 Color:Black
 Cover: Stainless Steel
 Pivot Shell: Stainless Steel
 Rated Voltage: 35V/AC Max

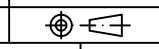
101C-E S X 0-R
 1 2 3 4

1.Type 3.Ejector Length
 E:Ejector A:15mm
 B:20mm
 2.Ejector Type C:22mm
 S:Straight
 4.ROHS



UNLESS OTHERWISE SPECIFIED TOLERANCE		 ATTEND TECHNOLOGY INC. www.attend.com.tw
ANG.	±5°	
0.	±	
.0	±0.25	
.00	±0.20	
SCALE:	AS SHOWN	UNIT: mm
DRAWN	Willis	2007/2/2
CHECKED	/ /	
APPROVED	/ /	
REV.		
DRAWN NAME:		CF Socket Ejector w/Shell
PRODUCT NO.		
FILE NAME:		101C-ESX0-R

REV.	DESCRIPTION	DATE
1		
2		
3		
4		
5		
6		
7		



SIZE A4 REV.

G
F
E
D
C
B
A

A

10