



HESTORE.HU

elektronikai alkatrész áruház

EN: This Datasheet is presented by the manufacturer.

Please visit our website for pricing and availability at www.hestore.hu.

TEWA TEMPERATURE SENSORS

HIGH PRECISION NTC THERMISTORS AND TEMPERATURE SENSORS

Specification of Temperature Probe

PART NUMBER: **TT4-G10KC8-T180-OM52-500**

No. of pages: 1

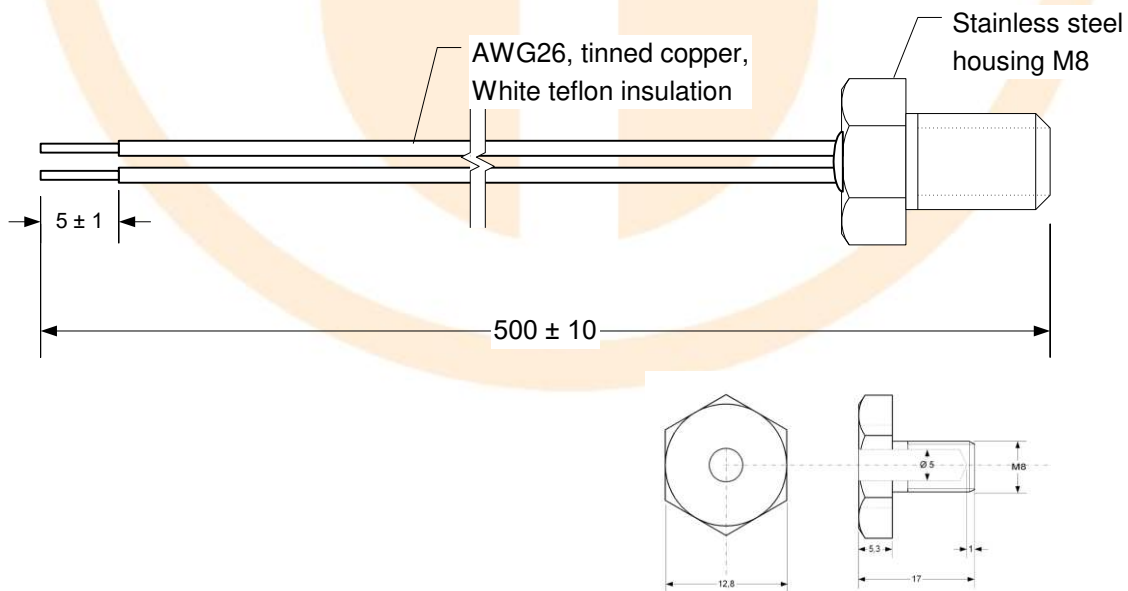
Date: **19.09.2019**

Revision: **00**

FEATURES:

Sensing Element	Glass Thermistor NTC
No-load resistance at 25°C	10 000 Ω
Tolerances at 25°C	± 1%
Beta(25/85) Constant	3 435K ±1%
Operating temperature range	-40°C ÷ 180°C
Test Voltage	500V DC
RoHS Compatible	YES

DRAWING:



UNITS: [mm]