



HESTORE.HU

elektronikai alkatrész áruház

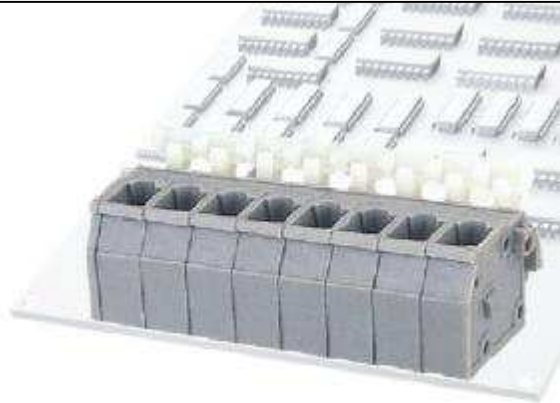
EN: This Datasheet is presented by the manufacturer.

Please visit our website for pricing and availability at www.hestore.hu.

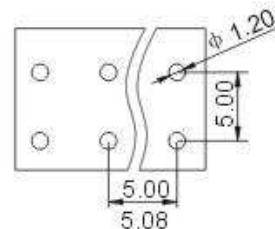
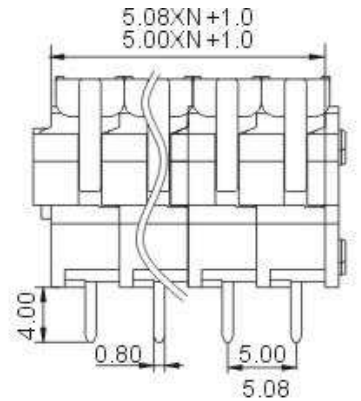
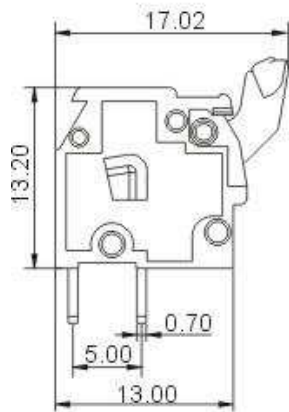


DEGSON ELECTRONICS CO., LTD.

Product Specification



DG242V-5.0
DG242V-5.08



PCB LAYOUT

Approval	UL US VDE	
Electrical		
Standard	UL	IEC
Rated voltage	300V	450V
Rated current	15A	17A
Wire range	28-12AWG	0.2-2.5mm ²
Withstanding voltage	AC2500V/1Min	
Mechanical		
Ambient temperature	-40°C~+105 °C	
Strip length	5-6mm	
Dimensions		
Pitch	5.0mm(.197") 5.08 (.200")	
Poles	1P-XXP	
Material		
Housing	PA66,UL94V-0	
Pin header	Phosphor bronze, Tin plated	
Wire guard	Stainless steel	

HOW TO ORDER :

- **P** - -

X	X	X
Customer Request		

Series number **No. of pole** **Color**

1	Single pitch	1	Grey	4	Green	7	Trans Parent
2	Double pitch	2	Blue	5	Orange	8	Yellow
		3	Black	6	Red	9	White

	DEGSON ELECTRONICS CO., LTD.
	NAME DG242V-5.0, DG242V-5.08