



HESTORE.HU

elektronikai alkatrész áruház

EN: This Datasheet is presented by the manufacturer.

Please visit our website for pricing and availability at www.hestore.hu.

3528 SMD LED

RoHS
Compliant



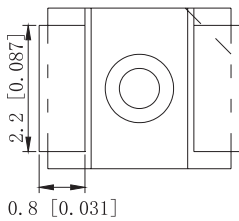
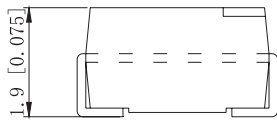
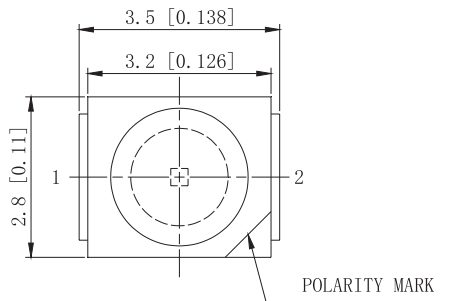
Features

- 3.5mm × 2.8mm SMD LED, 1.9mm Thickness.
- Wide Viewing Angle.
- Ideal For Backlight And Indicator.

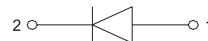
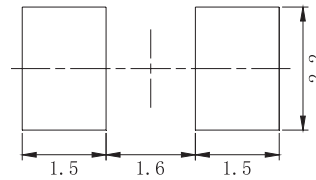
Applications

- Automotive: Backlighting in dashboard and switch.
- Telecommunication: Indicator and Backlighting in telephone and fax.
- Flat Backlight for LCD switch and symbol.

Package Dimensions



Recommended soldering pattern



Dimensions : Millimetres

Notes

1. All dimensions are in millimeters.
2. Tolerance is ± 0.25 unless otherwise noted.
3. Specifications are subject to change without notice.