



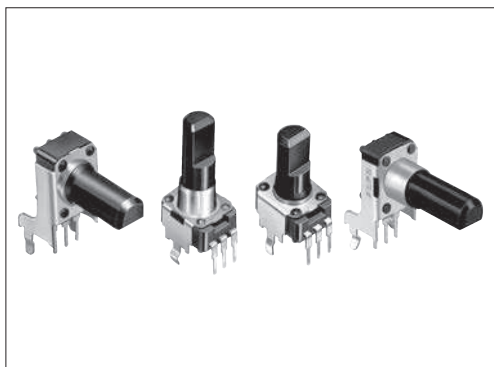
HESTORE.HU

elektronikai alkatrész áruház

EN: This Datasheet is presented by the manufacturer.

Please visit our website for pricing and availability at www.hestore.hu.

Compact type potentiometer with 9.8mm width is ideal for designing high density sets



Typical Specifications

| Items | | Specifications |
|-----------------------------|-------------|------------------------------------|
| Total resistance tolerance | Single-unit | ±20% |
| | Dual-unit | ±30% |
| Maximum operating voltage | Single-unit | 50V AC, 20V DC |
| | Dual-unit | 50V AC for AC only |
| Total rotational angle | Single-unit | RK09K: 280° ±5° RK09D: 300° ±5° |
| | Dual-unit | 280° ±5° |
| Rotational torque | | 1 to 8mN·m |
| Operating life | Single-unit | 5,000 cycles |
| | Dual-unit | 10,000 cycles |
| Operating temperature range | | -10°C to +70°C |

Product Line

| Number of resistor elements | Mounting direction | Total rotation angle | Collar (Sleeve type) | Shaft type | Length of the shaft LM ₁ (mm) | Center detent | Total resistance(kΩ) | Resistance taper | Minimum order unit (pcs.) | | Products No. | Drawing No. | |
|-----------------------------|----------------------------|----------------------|----------------------|------------|--|---------------|----------------------|------------------|---------------------------|--------------|--------------|-------------|--------------|
| | | | | | | | | | Japan | Export | | | |
| Single-unit (20V DC) | Vertical type | 280° ±5° | Without | Flat | 15 | With | 10 | 1B | 1,000 | 2,000 | RK09K113004U | 2 | |
| | | | | | | Without | 5 | | | | RK09K1130AU2 | | |
| | | | | | | Without | 10 | | | | 15A | | RK09K1130A6S |
| | | | | | | | 20 | | | | RK09K1130AJ3 | | |
| | | | | | | | 50 | | | | RK09K1130ACM | | |
| | | | | | | | 10 | | | | RK09K1130ACL | | |
| | | | | Knob | 20 | 5 | RK09K1130AAU | | | | | | |
| | | | | | | | 15 | 1B | | | RK09K1130AH1 | | |
| | | | | | | | With | 10 | | | RK09K1130BM4 | | |
| | | | | | | | 30 | RK09K1130A8G | | | | | |
| | | | | | | | Screw driver | 20 | | | 5 | | RK09K1130A5R |
| | | | | | | | | | | | | | 10 |
| | Horizontal type H=6.5mm | Without | 10 | 15A | RK09K1130A70 | | | | | | | | |
| | | | | | 1B | 20 | RK09K1130AP5 | | | | | | |
| | | | | | | 5 | RK09K1130AV7 | | | | | | |
| | | | | | | 10 | RK09K1110A2S | | | | | | |
| | | | | | Horizontal type H=10mm | With | 50 | 15A | RK09K1110AK4 | | | | |
| | | | | | | | | | 1B | 20 | RK09K1110AH8 | | |
| | 10 | RK09K1110B1V | | | | | | | | | | | |
| | 5 | RK09K1110A0J | | | | | | | | | | | |
| | Vertical type | 300° ±5° | With | Flat | | | | | 15 | Without | 10 | 1B | RK09K11100E9 |
| | | | | | | | | | | | 50 | | RK09K1110B1R |
| | | | | | 1B | 20 | RK09K1110B26 | | | | | | |
| | | | | | | 25 | RK09D1130C1B | | | | | | |
| 50 | | | | | | RK09D1130C2P | | | | | | | |
| Flat | | | | | 20 | 10 | RK09D1130A1L | | | | | | |
| | | | | 1B | | | 30 | RK09D1130A1N | | | | | |
| | | | | | | | 20 | RK09D1130C3W | | | | | |
| | | | | | | | 25 | RK09D1130C3C | | | | | |
| | | | | With | | | 30 | 10 | RK09D113000F | | | | |
| | | | | | | | | | 25 | RK09D1110C0R | | | |
| Horizontal type H=10mm | | | | Without | 50 | | | | | | | | |

Note

Other varieties are also available. Refer to "Other Specifications" (P.356).

Refer to P.356 for other specifications.
Refer to P.357 for ordering products not listed.
Refer to P.371 for soldering conditions.

Product Line

| Number of resistor elements | Mounting direction | Total rotation angle | Collar (Sleeve type) | Shaft type | Length of the shaft LM ₁ (mm) | Center detent | Total resistance (kΩ) | Resistance taper | Minimum order unit (pcs.) | | Products No. | Drawing No. | |
|-----------------------------|--------------------|----------------------|----------------------|------------|--|---------------------|-----------------------|------------------|---------------------------|--------|---------------------|-------------|---------------------|
| | | | | | | | | | Japan | Export | | | |
| Dual-unit (50V AC) | Vertical type | 280° ±5° | Without | Flat | 15 | Without | 10 | 15A | 1,000 | 2,000 | RK09K12C0A19 | 10 | |
| | | | | | 20 | | 50 | | | | | | RK09K12C0A2S |
| | | | | | 30 | | 10 | | | | | | |
| | | | | | 25 | | | | | | | | 10 |
| | 30 | | 50 | | RK09K12C0A8K | | | | | | | | |
| | 15 | | | | 9 | RK09K12A0A2K | | | | | | | |
| | 20 | | | | | RK09K12A0A6R | | | | | | | |
| | | | | | With | RK09K12A0B0W | | | | | | | |
| Horizontal type H=6.5mm | Without | 9 | RK09K12A0A2K | | | | | | | | | | |
| | With | | RK09K12A0A6R | | | | | | | | | | |

For the Mixing Console Market

| Number of resistor elements | Mounting direction | Total rotation angle | Collar (Sleeve type) | Shaft type | Length of the shaft LM ₁ (mm) | Center detent | Total resistance (kΩ) | Resistance taper | Minimum order unit (pcs.) | | Products No. | Drawing No. |
|-----------------------------|--------------------|----------------------|----------------------|------------|--|---------------|-----------------------|------------------|---------------------------|--------|---------------------|-------------|
| | | | | | | | | | Japan | Export | | |
| Single-unit (20V DC) | Vertical type | 300° ±5° | With | Flat | 30 | With | 10 | 1B | 1,000 | 2,000 | RK09D117000B | 4 |
| | | | | | | Without | | 15A | | | | |

Clear Shaft

| Number of resistor elements | Mounting direction | Total rotation angle | Collar (Sleeve type) | Shaft type | Length of the shaft LM ₁ (mm) | Center detent | Total resistance (kΩ) | Resistance taper | Minimum order unit (pcs.) | | Products No. | Drawing No. |
|-----------------------------|--------------------|----------------------|----------------------|------------|--|---------------|-----------------------|------------------|---------------------------|--------|---------------------|-------------|
| | | | | | | | | | Japan | Export | | |
| Single-unit (20V DC) | Vertical type | 280° ±5° | Without | Knob | 20 | Without | 10 | 1B | 1,000 | 2,000 | RK09K1130D62 | 7 |

Note

Other varieties are also available. Refer to "Other Specifications" (P.356).

Packing Specifications


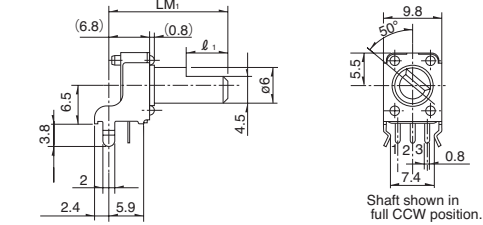
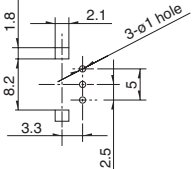
Bulk

| Number of packages (pcs.) | | Export package measurements (mm) |
|---------------------------|-------------------------|----------------------------------|
| 1 case / Japan | 1 case / export packing | |
| 1,000 | 2,000 | 368×530×180 |

Dimensions

Single-shaft, single-unit


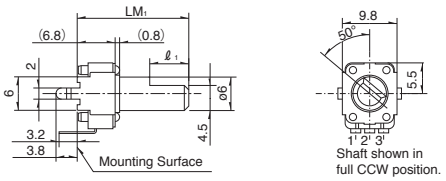
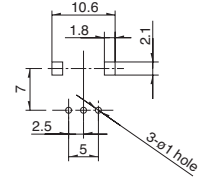
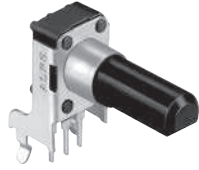
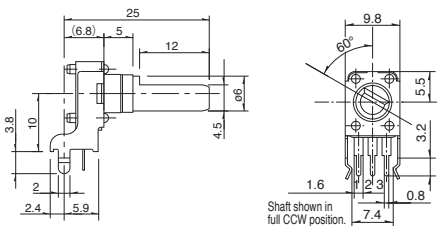
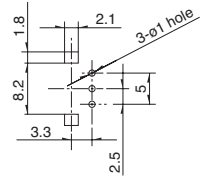

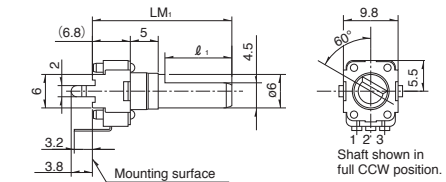
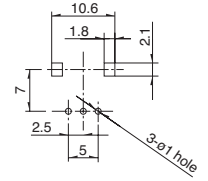

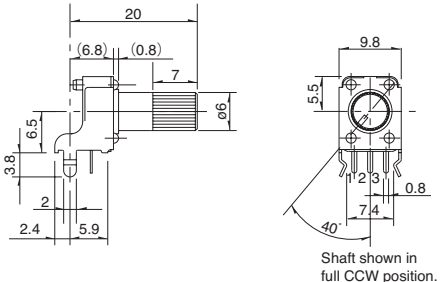
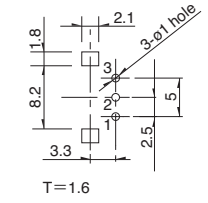
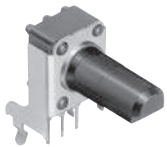
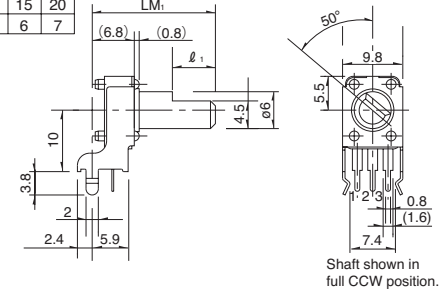
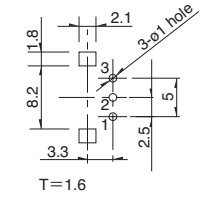
Unit:mm

| No. | Photo | Style | PC board mounting hole dimensions (Viewed from mounting side) | | | | | | |
|-----------------|---|---|---|----|----|----------------|---|---|---|
| 1 |  | <table border="1" style="margin-bottom: 10px;"> <tr> <td>LM₁</td> <td>15</td> <td>20</td> </tr> <tr> <td>ℓ₁</td> <td>6</td> <td>7</td> </tr> </table>  <p>Shaft shown in full CCW position.</p> | LM ₁ | 15 | 20 | ℓ ₁ | 6 | 7 |  |
| LM ₁ | 15 | 20 | | | | | | | |
| ℓ ₁ | 6 | 7 | | | | | | | |

Refer to P.356 for other specifications.
Refer to P.357 for ordering products not listed.
Refer to P.371 for soldering conditions.

■ Dimensions
Single-shaft, single-unit

Unit:mm

| No. | Photo | Style | PC board mounting hole dimensions (Viewed from mounting side) | | | | | | | | | | |
|-----------------|---|---|---|----|----|----------------|----------------|----------------|---|----|---|----|---|
| 2 | <p>Vertical type RK09K113</p>  | <table border="1"> <tr> <td>LM₁</td> <td>15</td> <td>20</td> <td>25</td> <td>30</td> </tr> <tr> <td>ℓ₁</td> <td>6</td> <td>7</td> <td>12</td> <td>12</td> </tr> </table>  | LM ₁ | 15 | 20 | 25 | 30 | ℓ ₁ | 6 | 7 | 12 | 12 |  |
| LM ₁ | 15 | 20 | 25 | 30 | | | | | | | | | |
| ℓ ₁ | 6 | 7 | 12 | 12 | | | | | | | | | |
| 3 | <p>Horizontal type with collar RK09D111</p>  |  |  | | | | | | | | | | |
| 4 | <p>Vertical type with collar RK09D113 RK09D117</p>  | <table border="1"> <tr> <td>LM₁</td> <td>20</td> <td>25</td> <td>30</td> </tr> <tr> <td>ℓ₁</td> <td>7</td> <td>12</td> <td>12</td> </tr> </table>  | LM ₁ | 20 | 25 | 30 | ℓ ₁ | 7 | 12 | 12 |  | | |
| LM ₁ | 20 | 25 | 30 | | | | | | | | | | |
| ℓ ₁ | 7 | 12 | 12 | | | | | | | | | | |
| 5 | <p>Horizontal type RK09K111</p>  |  |  | | | | | | | | | | |
| 6 | <p>Horizontal type RK09K111</p>  | <table border="1"> <tr> <td>LM₁</td> <td>15</td> <td>20</td> </tr> <tr> <td>ℓ₁</td> <td>6</td> <td>7</td> </tr> </table>  | LM ₁ | 15 | 20 | ℓ ₁ | 6 | 7 |  | | | | |
| LM ₁ | 15 | 20 | | | | | | | | | | | |
| ℓ ₁ | 6 | 7 | | | | | | | | | | | |

Rotary
Potentiometers

Slide
Potentiometers

Metal
Shaft

Insulated
Shaft

Knob
Operating

Ring
Type

■ Dimensions

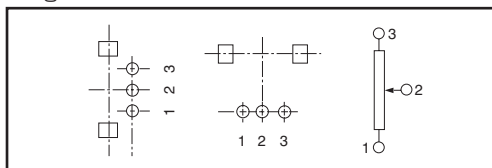
Single-shaft, single-unit

Unit:mm

| No. | Photo | Style | PC board mounting hole dimensions (Viewed from mounting side) | | | | | | | | |
|-----------------|-------|---|--|----|----|----------------|----------------|---|---|---|--|
| 7 | | <table border="1"> <tr> <td>LM₁</td> <td>15</td> <td>20</td> <td>30</td> </tr> <tr> <td>ℓ₁</td> <td>6</td> <td>7</td> <td>7</td> </tr> </table> | LM ₁ | 15 | 20 | 30 | ℓ ₁ | 6 | 7 | 7 | |
| LM ₁ | 15 | 20 | 30 | | | | | | | | |
| ℓ ₁ | 6 | 7 | 7 | | | | | | | | |
| 8 | | <table border="1"> <tr> <td>LM₁</td> <td>15</td> <td>20</td> </tr> <tr> <td>ℓ₁</td> <td>6</td> <td>7</td> </tr> </table> | LM ₁ | 15 | 20 | ℓ ₁ | 6 | 7 | | | |
| LM ₁ | 15 | 20 | | | | | | | | | |
| ℓ ₁ | 6 | 7 | | | | | | | | | |

■ Terminal Layout / Circuit Diagram

Single-unit



■ Dimensions

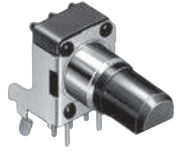
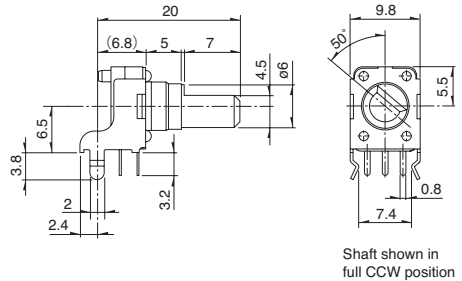
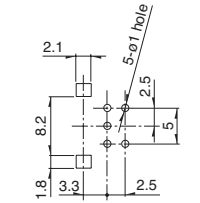

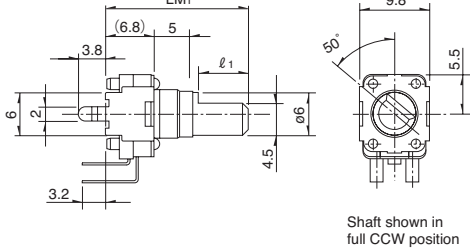
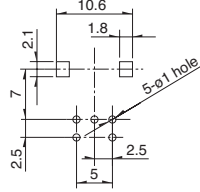
Single-shaft, dual-unit

Unit:mm

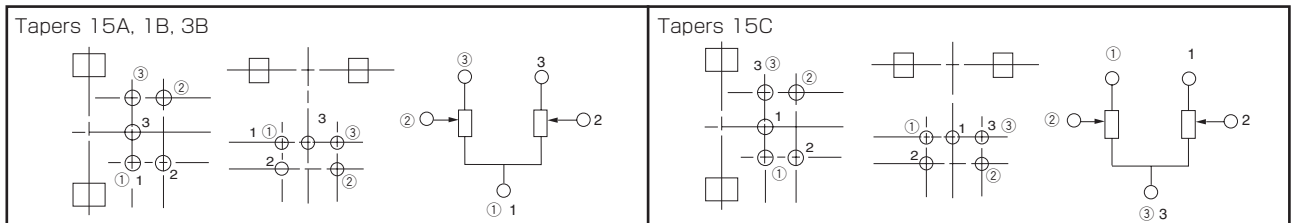
| No. | Photo | Style | PC board mounting hole dimensions (Viewed from mounting side) | | | | | | | | |
|-----------------|-------|--|--|----|----|----------------|----------------|---|---|----|--|
| 9 | | <table border="1"> <tr> <td>LM₁</td> <td>15</td> <td>20</td> </tr> <tr> <td>ℓ₁</td> <td>6</td> <td>7</td> </tr> </table> | LM ₁ | 15 | 20 | ℓ ₁ | 6 | 7 | | | |
| LM ₁ | 15 | 20 | | | | | | | | | |
| ℓ ₁ | 6 | 7 | | | | | | | | | |
| 10 | | <table border="1"> <tr> <td>LM₁</td> <td>15</td> <td>20</td> <td>30</td> </tr> <tr> <td>ℓ₁</td> <td>6</td> <td>7</td> <td>12</td> </tr> </table> | LM ₁ | 15 | 20 | 30 | ℓ ₁ | 6 | 7 | 12 | |
| LM ₁ | 15 | 20 | 30 | | | | | | | | |
| ℓ ₁ | 6 | 7 | 12 | | | | | | | | |

■ Dimensions
Single-shaft, dual-unit

Unit:mm

| No. | Photo | Style | PC board mounting hole dimensions (Viewed from mounting side) | | | | | | |
|-----------------|--|--|---|----|----|----------------|----|----|---|
| 11 | <p>Horizontal type with collar RK09K12A</p>  |  <p>Shaft shown in full CCW position</p> |  | | | | | | |
| 12 | <p>Vertical type with collar RK09K12C</p>  | <table border="1" data-bbox="662 716 790 772"> <tr> <td>LM₁</td> <td>25</td> <td>30</td> </tr> <tr> <td>ℓ₁</td> <td>12</td> <td>12</td> </tr> </table>  <p>Shaft shown in full CCW position</p> | LM ₁ | 25 | 30 | ℓ ₁ | 12 | 12 |  |
| LM ₁ | 25 | 30 | | | | | | | |
| ℓ ₁ | 12 | 12 | | | | | | | |

■ Terminal Layout / Circuit Diagram
Dual-unit



Rotary Potentiometers
Slide Potentiometers

Metal Shaft

Insulated Shaft

Knob Operating

Ring Type

9mm Size Insulated Shaft Snap-in Type / Other Specifications

In addition to the products listed, we can accommodate the follow specifications.

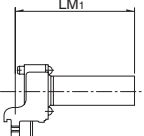
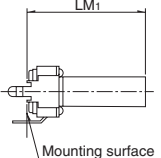
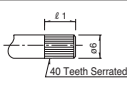
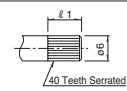
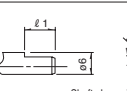
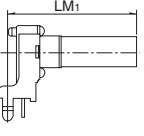
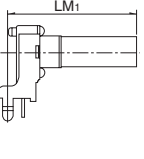
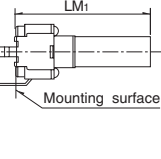
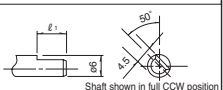
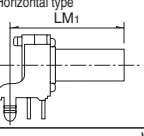
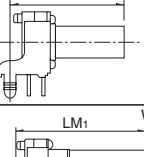
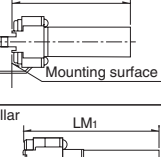
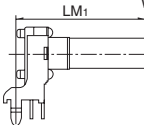
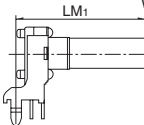
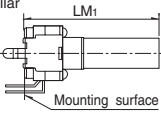
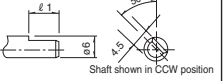
Total Resistance Variety

| | | | | | | |
|------------------------|---|----|----|----|-----|-----|
| Total resistance (k Ω) | 5 | 10 | 20 | 50 | 100 | 200 |
|------------------------|---|----|----|----|-----|-----|

Resistance Taper

| | | | | |
|------------------|-----|----|----|-----|
| Resistance taper | 15A | 1B | 3B | 15C |
|------------------|-----|----|----|-----|

Shaft Variety

| Number of resistor elements | Style | Shaft type | | Shaft color | | | | | | | | | | |
|--|--|--|--|-----------------|-----|----|----------------|----------------|----------------|----|----|---------------------------------|-------|-----------------------------|
| | | Knob variety | Detail dimensions | | | | | | | | | | | |
| Single-unit | Horizontal type  Vertical type  | Knob type (φ6)  | <table border="1"> <tr> <td>LM₁</td> <td>15</td> <td>20</td> <td>25</td> <td>30</td> </tr> <tr> <td>ℓ₁</td> <td>6</td> <td>7</td> <td>7</td> <td>7</td> </tr> </table> | LM ₁ | 15 | 20 | 25 | 30 | ℓ ₁ | 6 | 7 | 7 | 7 | Black |
| | | LM ₁ | 15 | 20 | 25 | 30 | | | | | | | | |
| | | ℓ ₁ | 6 | 7 | 7 | 7 | | | | | | | | |
| | | Screw-driver adjustment type  | <table border="1"> <tr> <td>LM₁</td> <td>9.5</td> <td>15</td> <td>20</td> <td></td> </tr> <tr> <td>ℓ₁</td> <td>—</td> <td>6</td> <td>7</td> <td></td> </tr> </table> | LM ₁ | 9.5 | 15 | 20 | | ℓ ₁ | — | 6 | 7 | | |
| | LM ₁ | 9.5 | 15 | 20 | | | | | | | | | | |
| | ℓ ₁ | — | 6 | 7 | | | | | | | | | | |
| | Flat type  | <table border="1"> <tr> <td>LM₁</td> <td>15</td> <td>20</td> <td>25</td> <td>30</td> </tr> <tr> <td>ℓ₁</td> <td>6</td> <td>7</td> <td>12</td> <td>12</td> </tr> </table> | LM ₁ | 15 | 20 | 25 | 30 | ℓ ₁ | 6 | 7 | 12 | 12 | | |
| | LM ₁ | 15 | 20 | 25 | 30 | | | | | | | | | |
| ℓ ₁ | 6 | 7 | 12 | 12 | | | | | | | | | | |
| Flat type  | <table border="1"> <tr> <td>LM₁</td> <td>15</td> <td>20</td> <td>25</td> <td>30</td> </tr> <tr> <td>ℓ₁</td> <td>6</td> <td>7</td> <td>12</td> <td>12</td> </tr> </table> | LM ₁ | 15 | 20 | 25 | 30 | ℓ ₁ | 6 | 7 | 12 | 12 | Gray (15, 20, 25) Black (30) | | |
| LM ₁ | 15 | 20 | 25 | 30 | | | | | | | | | | |
| ℓ ₁ | 6 | 7 | 12 | 12 | | | | | | | | | | |
| With collar  Vertical type  | Flat type  | <table border="1"> <tr> <td>LM₁</td> <td>20</td> <td>25</td> <td>30</td> <td></td> </tr> <tr> <td>ℓ₁</td> <td>7</td> <td>12</td> <td>12</td> <td></td> </tr> </table> | LM ₁ | 20 | 25 | 30 | | ℓ ₁ | 7 | 12 | 12 | | Black | |
| | LM ₁ | 20 | 25 | 30 | | | | | | | | | | |
| | ℓ ₁ | 7 | 12 | 12 | | | | | | | | | | |
| | Flat type  | <table border="1"> <tr> <td>LM₁</td> <td>20</td> <td>25</td> <td>30</td> <td></td> </tr> <tr> <td>ℓ₁</td> <td>7</td> <td>12</td> <td>12</td> <td></td> </tr> </table> | LM ₁ | 20 | 25 | 30 | | ℓ ₁ | 7 | 12 | 12 | | | Gray (20, 25) Black (30) |
| LM ₁ | 20 | 25 | 30 | | | | | | | | | | | |
| ℓ ₁ | 7 | 12 | 12 | | | | | | | | | | | |
| Horizontal type  Vertical type  | Flat type  | <table border="1"> <tr> <td>LM₁</td> <td>15</td> <td>20</td> <td>25</td> <td>30</td> </tr> <tr> <td>ℓ₁</td> <td>6</td> <td>7</td> <td>12</td> <td>12</td> </tr> </table> | LM ₁ | 15 | 20 | 25 | 30 | ℓ ₁ | 6 | 7 | 12 | 12 | Black | |
| | LM ₁ | 15 | 20 | 25 | 30 | | | | | | | | | |
| ℓ ₁ | 6 | 7 | 12 | 12 | | | | | | | | | | |
| With collar  Vertical type  | Flat type  | <table border="1"> <tr> <td>LM₁</td> <td>20</td> <td>25</td> <td>30</td> <td></td> </tr> <tr> <td>ℓ₁</td> <td>7</td> <td>12</td> <td>12</td> <td></td> </tr> </table> | LM ₁ | 20 | 25 | 30 | | ℓ ₁ | 7 | 12 | 12 | | | |
| LM ₁ | 20 | 25 | 30 | | | | | | | | | | | |
| ℓ ₁ | 7 | 12 | 12 | | | | | | | | | | | |

Notes

1. Marked are specifications recommended by Alps.
2. RK09D1 17 is only for flat type of 20mm, 25mm, 30mm

9mm Size Insulated Shaft Snap-in Type / Ordering Products Not Listed

When ordering product varieties that are not listed in the Product Line, please specify by referring to the below example.

Sample Part Number

R K 0 9 K 1 1 3 0 - **F 2 0** - **C 0** - **B 1 0 3**

Model type

| Code | Model type |
|------|--|
| K111 | 280° single-unit horizontal type H=6.5 |
| K113 | 280° single-unit vertical type |
| D111 | 300° single-unit horizontal type H=10 |
| D113 | 300° single-unit vertical type |
| K12A | 280° dual-unit horizontal type H=6.5 |
| K12C | 280° dual-unit vertical type |

*All RK09D types are single-ganged.
 *For other horizontal type mount height requirements, please indicate separately.

Shaft type

| Code | Shaft type | Code | Shaft type |
|------|------------|------|--------------|
| F | Flat | X | Screw driver |
| K | Knob | - | - |

*All RK09D types are only available in flat format.

Length of the shaft LM₁ (mm)

| Code | Length of the shaft | Code | Length of the shaft |
|------|---------------------|------|---------------------|
| 15 | 15 | 25 | 25 |
| 20 | 20 | 30 | 30 |

*20, 25 and 30 are the only available RK09D types.
 *9.5, 15 and 20 are the only available models in the Screwdriver shape.

Detent

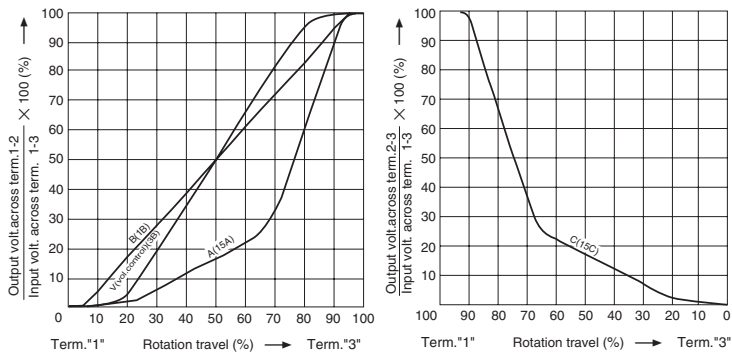
| Code | Center detent |
|------|---------------|
| C0 | Without |
| C1 | With |

Resistance taper

| Code | Resistance taper | Code | Resistance taper |
|------|------------------|------|------------------|
| A | 15A | C | 15C |
| B | 1B | V | 3B |

B: For tone & general
 V: For vol.

*1B is a recommended specification for single-unit.
 *3B is a recommended specification for dual-unit.

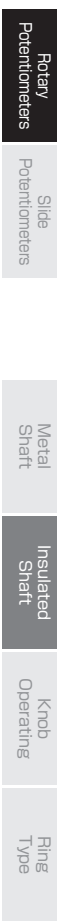


Total resistance

| Code | Total resistance (k Ω) | Code | Total resistance (k Ω) |
|------|------------------------|------|------------------------|
| 502 | 5 | 503 | 50 |
| 103 | 10 | 104 | 100 |
| 203 | 20 | 204 | 200 |














Notes

1. RK09D comes with a collar.
2. The recommended specification for RK09K does not include a collar. For collar requirements please indicate separately.
3. Marked are specifications recommended by Alps.



Insulated Shaft Potentiometers

List of Varieties

| Type | 9mm size | | | 11mm size | 12mm size | | 14mm size | |
|------------------------------|---|--|---|---|---|---|---|---|
| Series | RK09K11 RK09D11 | RK09K12 | RK09Y11L | RK11K | RK12L12 | RK12L115 | RK14K | |
| | Single-unit | Dual-unit | Single-unit | Single-unit | Dual-unit | Single-unit | Dual-unit | |
| Photo |  |  |  |  |  |  |  | |
| Terminal mounting | Vertical / Horizontal | | Horizontal | Vertical / Horizontal | | Vertical | Vertical / Horizontal | |
| Bushing | Without | | | With / Without | Without | With | With / Without | |
| Operating temperature range | -10°C to + 70°C | | | | | -40°C to + 85°C | -10°C to + 70°C | |
| Operating life | 5,000 cycles | 10,000 cycles | 1,000,000 cycles | 15,000 cycles | | | | |
| Available for automotive use | — | — | — | — | — | ● | — | |
| Life cycle |  | |  |  |  |  |  | |
| Electrical performance | Total resistance (k Ω) | 5, 10, 20, 50, 100, 200 | | 10 | 5, 10, 20, 50, 100, 200 | | 5, 10, 20, 50, 100 | 5, 10, 20, 50, 100, 200 |
| | Resistance taper | 15A, 1B, 3B, 15C | | B | 15A, 1B, 3B, 15C | | 15A, 1B, 3B | 15A, 1B, 3B, 15C |
| | Total resistance tolerance | ±20% | ±30% | ±30% | ±20% | | | |
| | Rated power | 0.05W | 0.03W | 0.01W | 0.05W | | | |
| | Maximum operating voltage | 50V AC 20V DC | 50V AC for AC only | 50V AC 5V DC | 50V AC 20V DC | 50V AC for AC only | 50V AC 20V DC | 50V AC for AC only |
| | Gang error | — | -40dB to 0dB 3dB max. | — | — | Volume control -40dB to 0dB 3dB max. For tone control within 2dB at center | — | Volume control -40dB to 0dB 3dB max. For tone control within 2dB at center |
| | Insulation resistance | 100MΩ min. 250V DC | | | 100MΩ min. 500V DC | 100MΩ min. 250V DC | | |
| | Voltage proof | 250V AC for 1minute | | | 500V AC for 1minute | 300V AC for 1minute | | |
| | Center-taps | Without | | | Without / With | Without | | Without / With (Volume control) |
| | Mechanical performance | Detent | Without, Center | | Without | Without, Center | Without | Custom |
| Stopper strength | | 0.3N·m | | — | Without bushing 0.5N·m With bushing 0.6N·m | 0.5N·m | | 0.6N·m |
| Push-pull strength | | 50N max. | | 30N max. | 80N max. | | | |
| Vibration | | 10 to 55 to 10Hz/min., the amplitude is 1.5mm for all the frequencies, in the 3 direction of X, Y and Z and for 2 hours respectively | | | | | | |
| Shaft configuration | Flat type, Knob type, Screwdriver type | | | Flat type | | | | |
| Terminal style | Insertion | | | | | | | |
| Page | 351 | | 358 | 359 | 363 | 366 | 367 | |

| | |
|---|-----|
| Insulated Shaft Potentiometers Soldering Conditions | 371 |
| Potentiometers Cautions | 427 |
| Potentiometers Measurement and Test Methods | 429 |
| Potentiometers Resistance Taper | 431 |

Note

● Indicates applicability to all products in the series.

■ Reference for Manual Soldering

| Series | Tip temperature | Soldering time | No. of solders |
|--|-----------------|----------------|----------------|
| RK09D, RK09K, RK09Y11L, RK11K, RK12L, RK12L115, RK14K | 350°C max. | 3s max. | 1 time |

■ Reference for Dip Soldering

| Series | Preheating | | Dip soldering | | No. of solders |
|--------------|-------------------------------|--------------|-----------------------|----------------|----------------|
| | Soldering surface temperature | Heating time | Soldering temperature | Soldering time | |
| RK12L | 100°C | 1 min. max. | 260°C max. | 5s max. | 2 time max. |