



HESTORE.HU

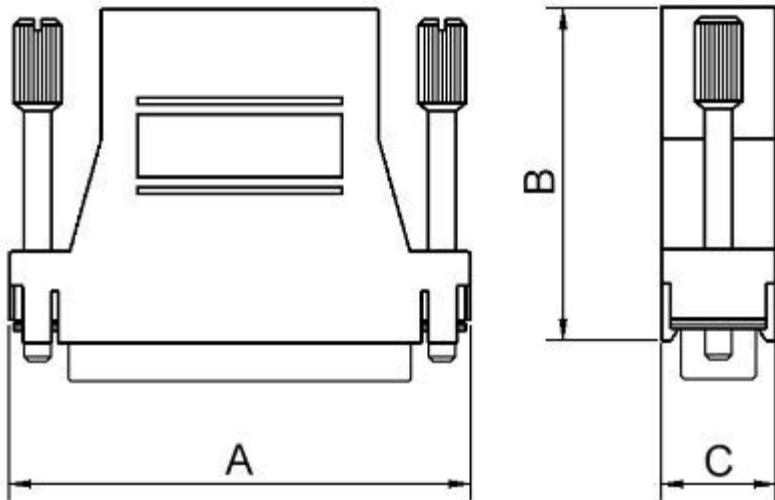
elektronikai alkatrész áruház

EN: This Datasheet is presented by the manufacturer.

Please visit our website for pricing and availability at www.hestore.hu.

Ordering Information			
Size:	P/N - Kitted:	Product Code:	Type:
9-way	2112-0100-01	MHDA09- SMJ6 -K-RC	Unshielded
25-way	2112-0100-03	MHDA25- SMJ6 -K-RC	Unshielded
9-way	2112-0100-11	MHDA09- PMJ6 -K-RC	Unshielded
25-way	2112-0100-13	MHDA25- PMJ6 -K-RC	Unshielded
9-way	2112-0101-01	MHDA09- SMJ8 -K-RC	Unshielded
25-way	2112-0101-03	MHDA25- SMJ8 -K-RC	Unshielded
9-way	2112-0101-11	MHDA09- PMJ8 -K-RC	Unshielded
25-way	2112-0101-13	MHDA25- PMJ8 -K-RC	Unshielded
9-way	2112-0105-01	MHDA09- SMJ8 -M-K-RC	Shielded
25-way	2112-0105-03	MHDA25- SMJ8 -M-K-RC	Shielded
9-way	2112-0105-11	MHDA09- PMJ8 -M-K-RC	Shielded
25-way	2112-0105-13	MHDA25- PMJ8 -M-K-RC	Shielded

SMJ6 = Sub-D Female to RJ11
PMJ6 = Sub-D Male to RJ11
SMJ8 = Sub-D Female to RJ45
PMJ8 = Sub-D Male to RJ45



Other Information:			
Size	Dim A	Dim B	Dim C
9-way	33,0	15,0	49,5
15-way	41,3	15,0	39,0
25-way	55,1	15,0	39,0