



**HESTORE.HU**

elektronikai alkatrész áruház

**EN:** This Datasheet is presented by the manufacturer.

Please visit our website for pricing and availability at [www.hestore.hu](http://www.hestore.hu).

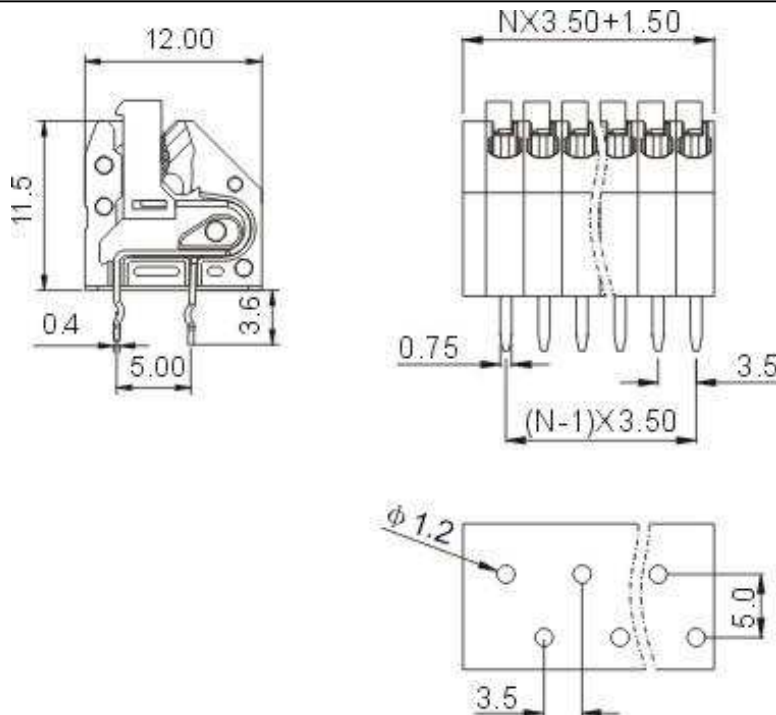


# DEGSON ELECTRONICS CO., LTD.

## Product Specification

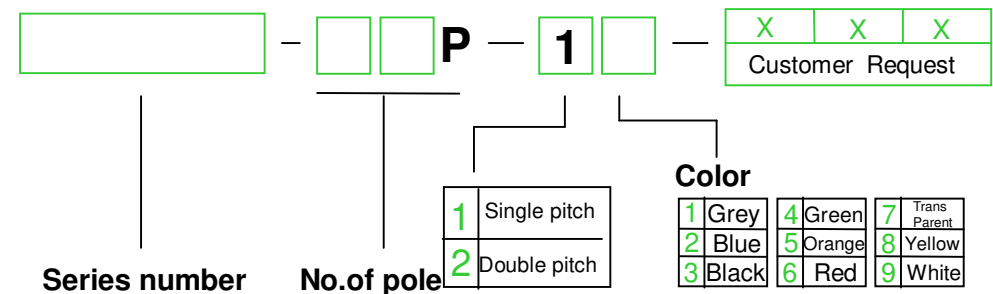


**DG250-3.5**



<b>Approval</b>		
<b>Electrical</b>		
<b>Standard</b>	<b>UL</b>	<b>IEC</b>
Rated voltage	300V	400V
Rated current	7A	5A
Wire range	22-18AWG	0.2-0.75mm <sup>2</sup>
Withstanding voltage	AC2500V/1Min	
<b>Mechanical</b>		
Ambient temperature	-40°C ~ +105 °C	
Strip length	8.5-9.5mm	
<b>Dimensions</b>		
Pitch	3.5mm (.138")	
Poles	1P-XXP	
<b>Material</b>		
Housing	PA66, UL94V-0	
Pin header	Phosphor bronze, Tin plated	

### HOW TO ORDER :



 	 <b>DEGSON ELECTRONICS CO., LTD.</b>
NAME	<b>DG250-3.5</b>