



HESTORE.HU

elektronikai alkatrész áruház

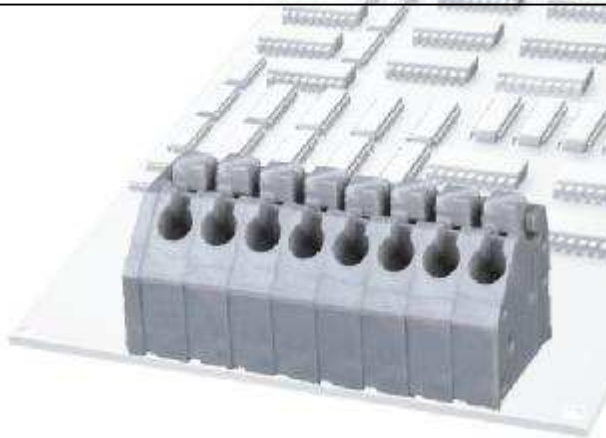
EN: This Datasheet is presented by the manufacturer.

Please visit our website for pricing and availability at www.hestore.hu.

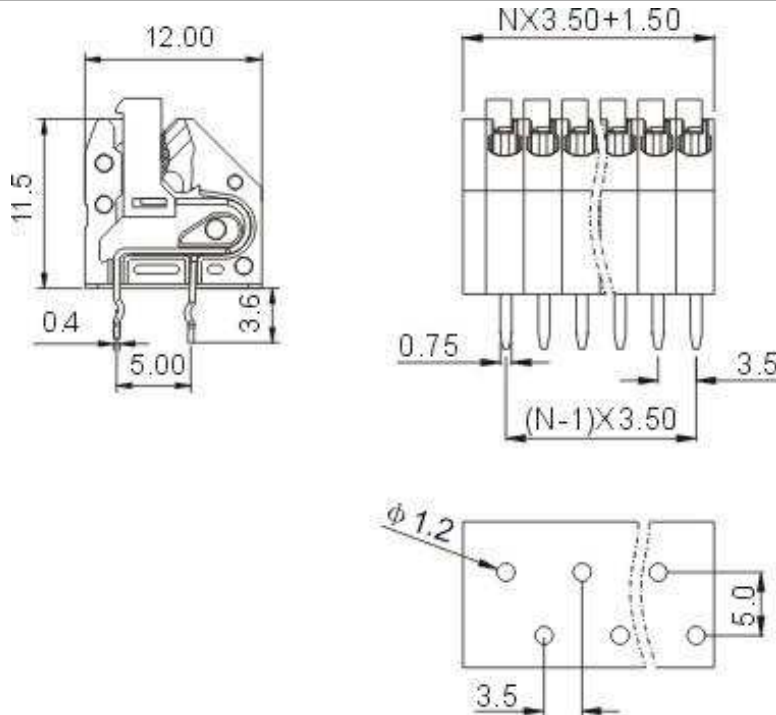


DEGSON ELECTRONICS CO., LTD.

Product Specification

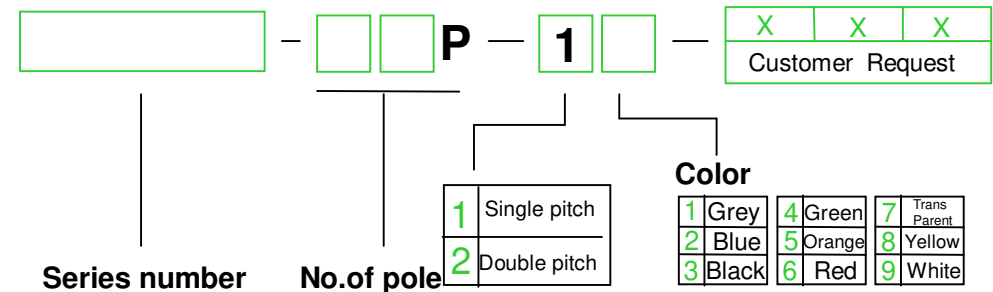


DG250-3.5



Approval		
Electrical		
Standard	UL	IEC
Rated voltage	300V	400V
Rated current	7A	5A
Wire range	22-18AWG	0.2-0.75mm ²
Withstanding voltage	AC2500V/1Min	
Mechanical		
Ambient temperature	-40°C ~ +105 °C	
Strip length	8.5-9.5mm	
Dimensions		
Pitch	3.5mm (.138")	
Poles	1P-XXP	
Material		
Housing	PA66, UL94V-0	
Pin header	Phosphor bronze, Tin plated	

HOW TO ORDER :



	DEGSON ELECTRONICS CO., LTD.
	NAME DG250-3.5