



**HESTORE.HU**

elektronikai alkatrész áruház

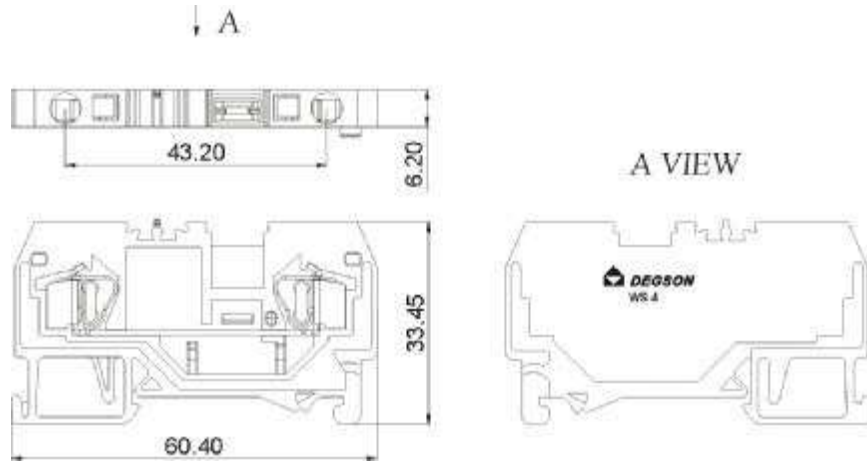
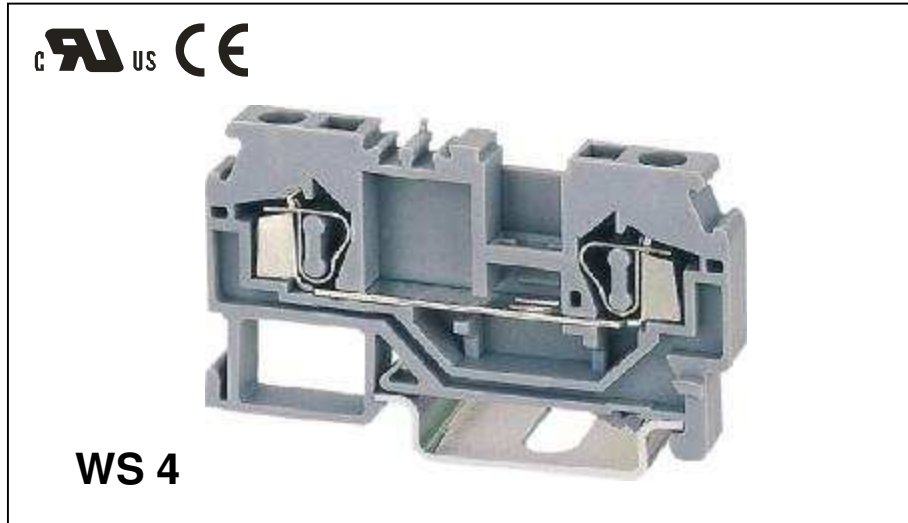
**EN:** This Datasheet is presented by the manufacturer.

Please visit our website for pricing and availability at [www.hestore.hu](http://www.hestore.hu).



# DEGSON ELECTRONICS CO., LTD.

## Product Specification



Approval	UL US	CE	
<b>Electrical</b>	<b>UL</b>	<b>IEC</b>	
Standard	600V	800V	
Rated voltage	20A	32A	
Rated current	Wire size	28-12AWG	0.2-4.0mm <sup>2</sup>
T/W/End plate	6/59/2.5mm		
Height(NS35:7.5/NS35:15)	36.5/44mm		
Rated surge voltage/contamination class	8KV/3		
Stripping length	10mm		
Insulating material/Inflammability class	PA/V-0		

Specification	Model	Pieces
(1) Terminal block	WS 4	50
(2) Cover	D-WS 4	100
(3) Adjacent jumper	WFA-4	200
(4) Alternate jumper	WFB-4	100
(5) Staggered jumper	1-2WFC-4/2 1-5WFC-4/5 1-3WFC-4/3 1-6WFC-4/6 1-4 1-8 1-4WFC-4/4	100 50 100 50 100
(6) Insulation stop	TTA-4	200
(8) Test plug adapter	EEA-4	100
(9) Test plug	SSA	100
(9) Zack strip	SSB	50
	DEK6	

### HOW TO ORDER :

-  **P** -   - 

X	X	X
Customer Request		

Series No.      No. of pole      Color

1 Gray	4 Green	7 Transp-arent
2 Blue	5 Orange	8 Yellow
3 Black	6 Red	9 white

 mm (INCH)	 <b>DEGSON ELECTRONICS CO., LTD.</b>
 THIRD ANGLE PROJECTION	<b>NAME</b> <b>WS 4</b>