

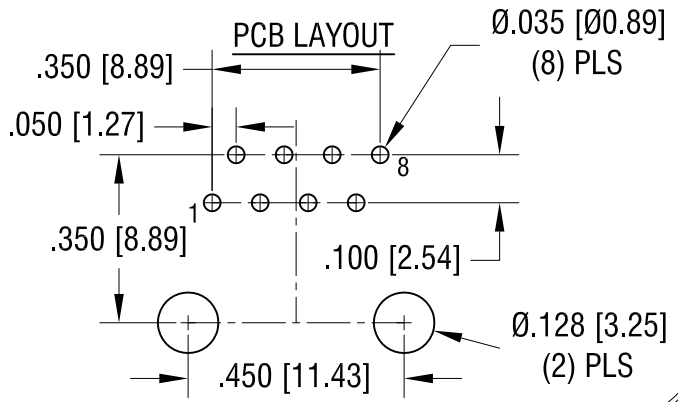


HESTORE.HU
elektronikai alkatrész áruház

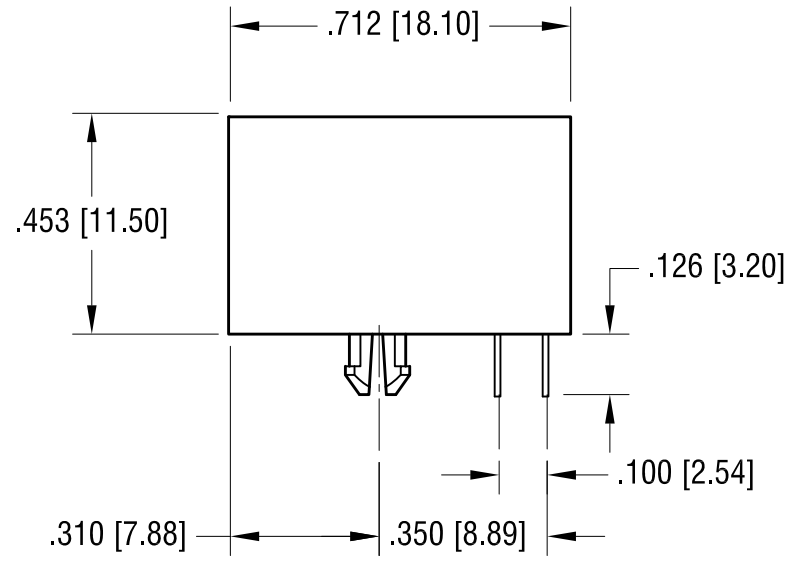
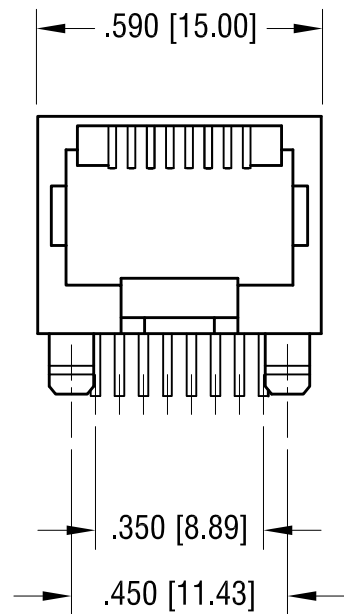
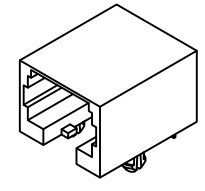
EN: This Datasheet is presented by the manufacturer.

Please visit our website for pricing and availability at www.hestore.hu.

THIS DOCUMENT IS THE PROPERTY OF KEYSTONE ELECTRONICS CORP. AND SHALL NOT BE REPRODUCED, DISTRIBUTED OR USED AS A BASIS FOR MANUFACTURE WITHOUT PRIOR WRITTEN PERMISSION FROM KEYSTONE ELECTRONICS CORP.



ACTUAL SIZE



NOTE:

1. PLASTIC HOUSING:
MAT'L- ENGINEERING THERMOPLASTIC
RATED UL 94V-0, COLOR- BLACK
2. CONTACT: MAT'L PHOSPHOR BRONZE
FINISH- GOLD PLATE, OVER NICKEL ON CONTACT
TIN, OVER COPPER ON SOLDER TAILS
3. DIELECTRIC WITHSTANDING VOLTAGE:
1000 VAC FOR 1 MIN.
4. STORAGE TEMPERATURE:
-40°F (-40°C) TO +176°F (+85°C)
OPERATION TEMPERATURE:
-4°F (-20°C) TO 167°F (+75°C)

5. VOLTAGE RATING: 125 VAC Rms.
CURRENT RATING- 1.5 Amps
CONTACT RESISTANCE- 40 mΩ MAX.
INSULATION RESISTANCE- 1000 MΩ MIN. @500 VDC
DIELECTRIC STRENGTH: 1000 VAC Rms 60Hz. 1Min.

KEYSTONE ELECTRONICS CORP.			
www.keyelco.com • ASTORIA, N.Y. 11105-2017 • Tel (718) 956-8900			
PART NAME		MODULAR KEYSTONE JACK, 8P8C	
MATERIAL		AS NOTED	
FINISH	DRN BY	DATE	
AS NOTED	NT	4.08.15	
	APP'D	SCALE	
	LN	2.5X	
TOLERANCES	INCH	[MM]	CODE
DECIMAL	± .010	[± 0.25]	C
ANGULAR	± 1°		
UNLESS OTHERWISE SPECIFIED			
DWG NO.		943	

DATE	DESCRIPTION	REV.