



**HESTORE.HU**

elektronikai alkatrész áruház

**EN:** This Datasheet is presented by the manufacturer.

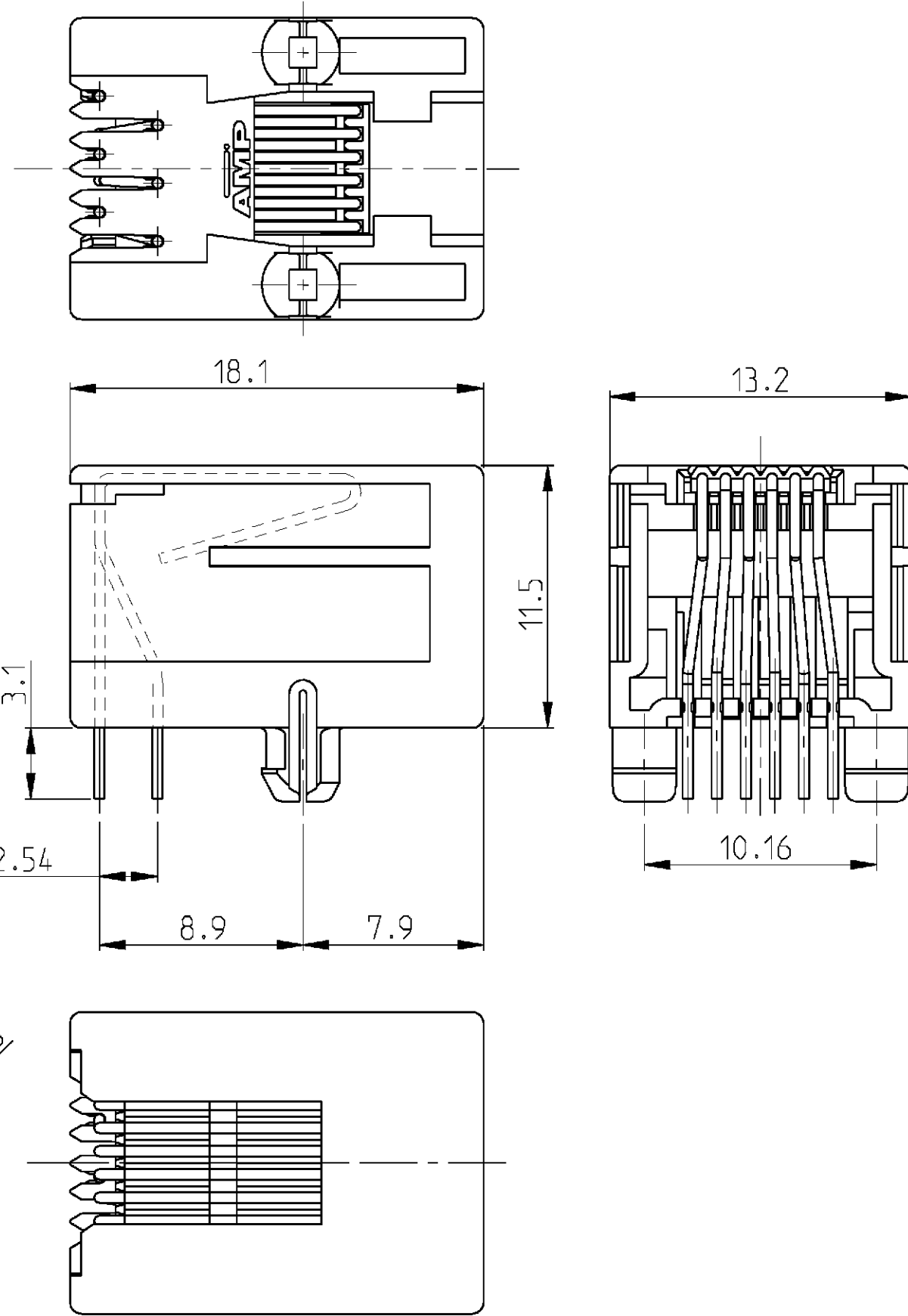
Please visit our website for pricing and availability at [www.hestore.hu](http://www.hestore.hu).

THIS DRAWING IS UNPUBLISHED. RELEASED FOR PUBLICATION 2000  
 © COPYRIGHT 2000 BY TYCO ELECTRONICS CORPORATION. ALL RIGHTS RESERVED.

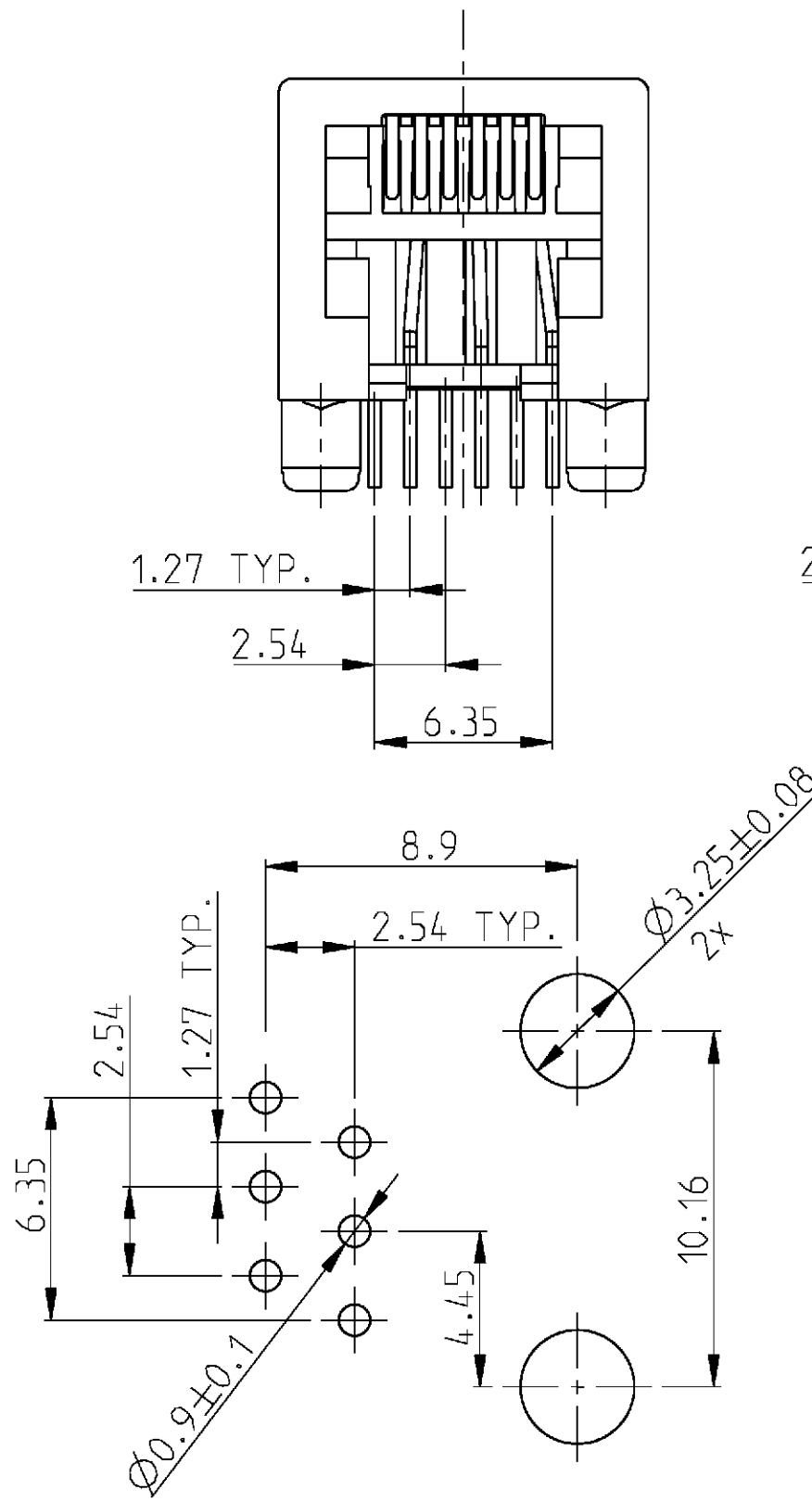
LOC	DIST	REVISIONS					
		P	LTR	DESCRIPTION	DATE	DWN	APVD
GW	-		U	EH-1641-98	15 OCT 98	EvE	MvE
			V	SR10-0119-01	20 MAR 01	KV	
			V1	SR10-0313-02	18 JUN 02	KV	

- SEE SHEET 2 FOR MODULAR JACK 6 POS./4 CONTACTS
- FOR APPLICATION INFORMATION SEE AMP SPEC. 114-19019.
- FOR PERFORMANCE REQUIREMENTS SEE AMP SPEC. 108-19064.
- TOLERANCES UNLESS OTHERWISE SPECIFIED:  $\pm 0.15$ .

$\triangle$  TRUE POSITIONING WILL NOT BE GUARANTEED USING THIS PACKAGING TYPE.



PACKAGING	REMARKS	FINISH	MATERIAL	P/N
TAPE MOUNTED 800 PCS/REEL	6 POS./ 6 CONTACTS	IN CONTACT AREA: 1.2 $\mu$ m MIN. SEL. GOLD OVER 1.2 $\mu$ m MIN. NICKEL	HOUSING COLOR BLACK	2-215876-3
BULK PACKED $\triangle$ 1000 PCS IN A BOX			HOUSING AND CONTACT INSERT: RE-FLOW TEMPERATURE RESISTANT UL 94-V0	2-215876-1
250 PIECES IN A TRAY			HOUSING PA 4.6 CONTACT INSERT: PCT	2-215876-0
BULK PACKED $\triangle$ 1000 PCS IN A BOX			SOLDER TINES: 2.5 $\mu$ m MIN. TIN-LEAD OVER 1.2 $\mu$ m MIN. NICKEL	3-215876-1
108 PIECES IN A MULTI-TUBE			HOUSING COLOR BLACK PBT, UL 94 V-0	1-215876-1
TAPE MOUNTED 800 PCS/REEL			CONTACT INSERT: PBT, UL 94 V-0	215876-1



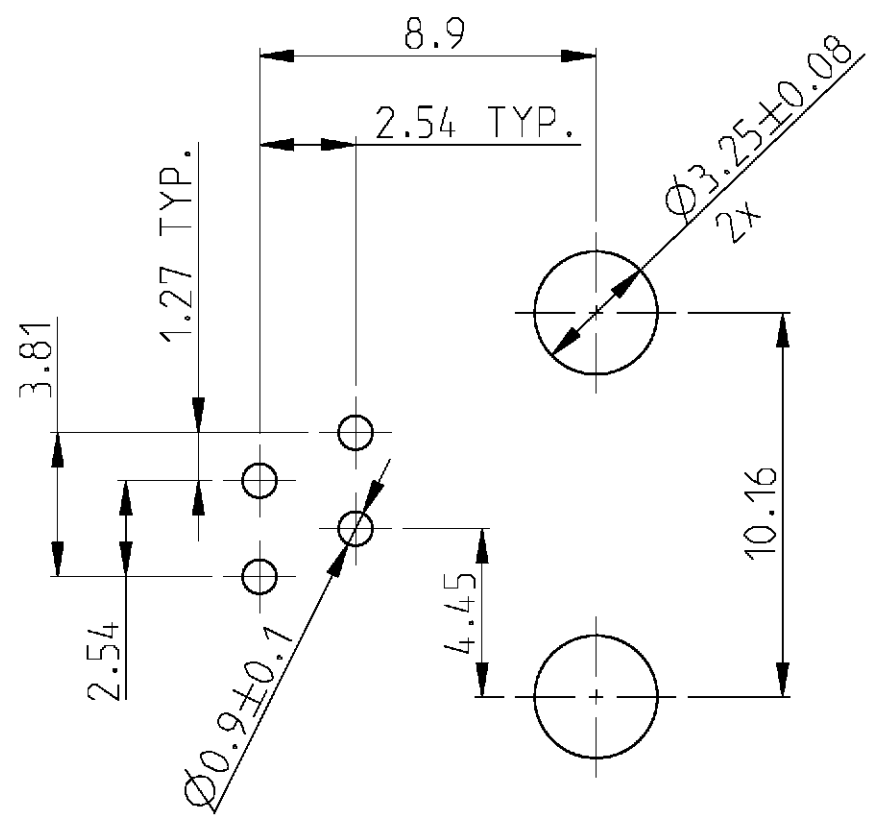
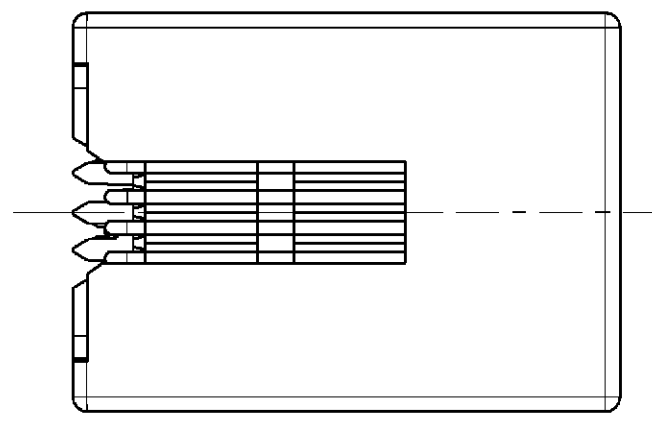
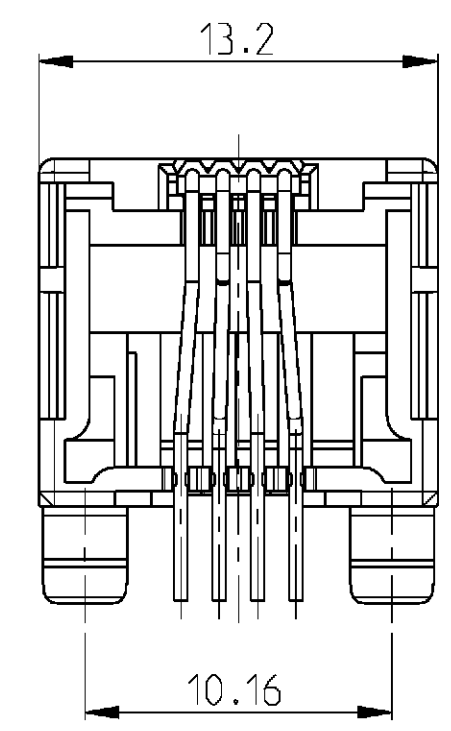
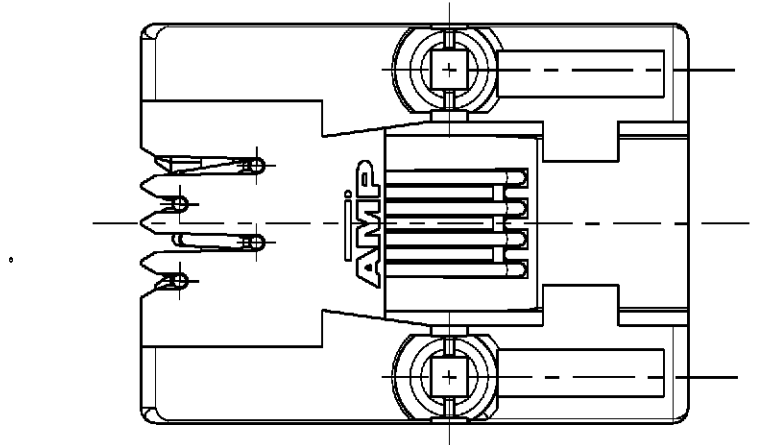
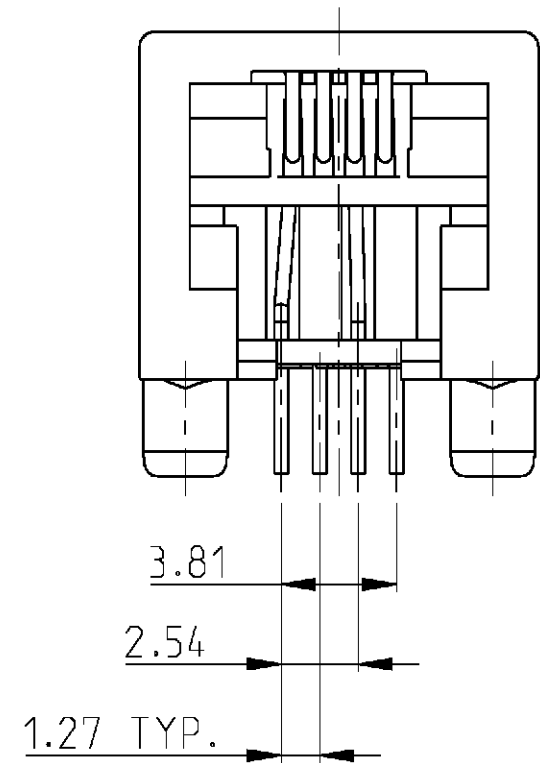
PRINTED CIRCUIT BOARD LAYOUT (6 POS./6 CONTACTS)

[VIEW SHOWN IS CIRCUIT (NONCOMPONENT) SIDE OF BOARD]  
 PRINTED CIRCUIT BOARD THICKNESS: 1.6 mm NOMINAL.  
 TOLERANCES UNLESS OTHERWISE SPECIFIED:  $\pm 0.05$

<small>THIS DRAWING IS A CONTROLLED DOCUMENT FOR TYCO ELECTRONICS CORPORATION          IT IS SUBJECT TO CHANGE AND THE CONTROLLING ENGINEERING ORGANIZATION          SHOULD BE CONTACTED FOR THE LATEST REVISION.</small>		DWN G.CONSTANT 24 SEP 96 CHK G.CONSTANT 24 SEP 96 APVD R.SMEETS PRODUCT SPEC APPLICATION SPEC WEIGHT CUSTOMER DRAWING	<b>tyco</b> <b>Electronics</b> Tyco Electronics Oostkamp - Belgium
DIMENSIONS: mm 		NAME MODULAR JACK, SIDE ENTRY, 6/6 FOR PRINTED CIRCUIT BOARD SIZE A2 CAGE CODE 00779 DRAWING NO. C-215876 RESTRICTED TO SCALE 4:1 SHEET 1 OF 2 REV V1	
TOLERANCES UNLESS OTHERWISE SPECIFIED: 0 PLC $\pm$ 1 PLC $\pm 0.1$ 2 PLC $\pm 0.01$ 3 PLC $\pm 0.001$ 4 PLC $\pm 0.0001$ ANGLES FINISH $\pm$		SCALE 4:1 SHEET 1 OF 2 REV V1	

LOC	DIST	REVISIONS			
P	LTR	DESCRIPTION	DATE	DWN	APVD
-	-	SEE SHEET 1	-	-	-

- 1 SEE SHEET 1 FOR MODULAR JACK 6 POS./6 CONTACTS.
- 2 FOR APPLICATION INFORMATION SEE AMP SPEC. 114-19019.
- 3 FOR PERFORMANCE REQUIREMENT SEE AMP SPEC. 108-19064.
- 4 TOLERANCES UNLESS OTHERWISE SPECIFIED: ±0.15.



TAPE MOUNTED 800 PCS/REEL	6 POS./ 4 CONTACTS	IN CONTACT AREA: 1.2 µm MIN. SEL. GOLD OVER 1.2 µm MIN. NICKEL  SOLDER TINES: 2.5 µm MIN. TIN-LEAD OVER 1.2 µm MIN. NICKEL	HOUSING COLOR BLACK: PBT, UL 94 V-0  CONTACT INSERT: PBT, UL 94 V-0  CONTACTS: Ph-BRONZE	215876-2
PACKAGING	REMARKS	FINISH	MATERIAL	P/N

PRINTED CIRCUIT BOARD LAYOUT (6 POS./4 CONTACT)

[VIEW SHOWN IS CIRCUIT (NONCOMPONENT) SIDE OF BOARD]  
 PRINTED CIRCUIT BOARD THICKNESS: 1.6 mm NOMINAL.  
 TOLERANCES UNLESS OTHERWISE SPECIFIED: ± 0.05.

<small>THIS DRAWING IS A CONTROLLED DOCUMENT FOR TYCO ELECTRONICS CORPORATION          IT IS SUBJECT TO CHANGE AND THE CONTROLLING ENGINEERING ORGANIZATION          SHOULD BE CONTACTED FOR THE LATEST REVISION.</small>		DWN G.CONSTANT 24 SEP 96 CHK G.CONSTANT 24 SEP 96 APVD R.SMEETS PRODUCT SPEC APPLICATION SPEC WEIGHT CUSTOMER DRAWING	<b>tyco</b> <b>Electronics</b> Tyco Electronics Oostkamp - Belgium
DIMENSIONS: mm 	TOLERANCES UNLESS OTHERWISE SPECIFIED: 0 PLC #+## 1 PLC #+## 2 PLC #+## 3 PLC #+## 4 PLC #+## ANGLES #+## FINISH #+##	NAME MODULAR JACK, SIDE ENTRY, 6/4 FOR PRINTED CIRCUIT BOARD	SIZE A2 CAGE CODE 00779 DRAWING NO. C-215876 RESTRICTED TO SCALE 4:1 SHEET 2 OF 2 REV. V1