



HESTORE.HU

elektronikai alkatrész áruház

EN: This Datasheet is presented by the manufacturer.

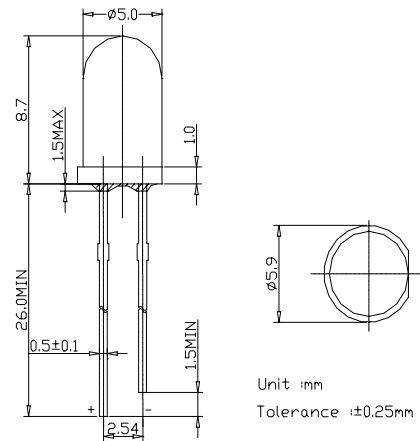
Please visit our website for pricing and availability at www.hestore.hu.

□ Features

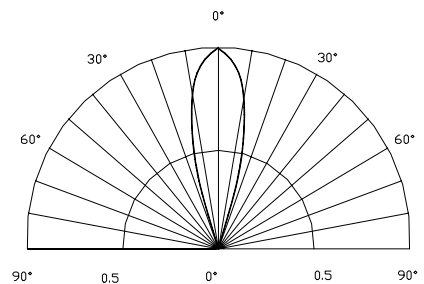
- High Luminous Output
- Red/Pure Green/Blue Flash LED
- Superior Weather-resistance
- Water Clear Type

□ Applications

- Toys
- Games
- Audio

□ Outline Dimension

□ Absolute Maximum Rating (Ta=25 °C)

| Item | Symbol | Value | Unit |
|----------------------------|--------|--------------|------|
| Oscillator Frequency | Fled | 0.8 | Hz |
| Operating Temperature | Topr | -0 ~ +60 | °C |
| Storage Temperature | Tstg | -40 ~ +100 | °C |
| Lead Soldering Temperature | Tsol | 260 °C /3sec | - |

□ Directivity


□ Pulse width Max 10ms Duty ratio max 10%

□ Electrical -Optical Characteristics (Ta=25 °C)

| Item | Symbol | Condition | Min. | Typ. | Max. | Unit |
|--------------------|---------------------|------------|------|------|------|------|
| Operating Voltage | Vdd | - | 4.5 | 5.0 | 6.0 | V |
| Operating Current | Iop | - | - | 20 | 40 | mA |
| Quiescent Current | Isb | - | - | 1 | 5 | uA |
| Driving Current | Iol | - | - | 25 | - | mA |
| Domi. Wavelength | λ_D (Red) | $I_F=20mA$ | 635 | 640 | 645 | nm |
| | λ_D (Green) | $I_F=20mA$ | 520 | 525 | 530 | nm |
| | λ_D (Blue) | $I_F=20mA$ | 465 | 470 | 475 | nm |
| Luminous Intensity | Iv(Red) | $I_F=20mA$ | 1560 | 2180 | 3000 | mcd |
| | Iv(Green) | $I_F=20mA$ | 4200 | 5800 | 7000 | mcd |
| | Iv(Blue) | $I_F=20mA$ | 2180 | 3000 | 4200 | mcd |
| 50% Power Angle | $2\theta_{1/2}$ | $I_F=20mA$ | - | 30 | - | deg |