



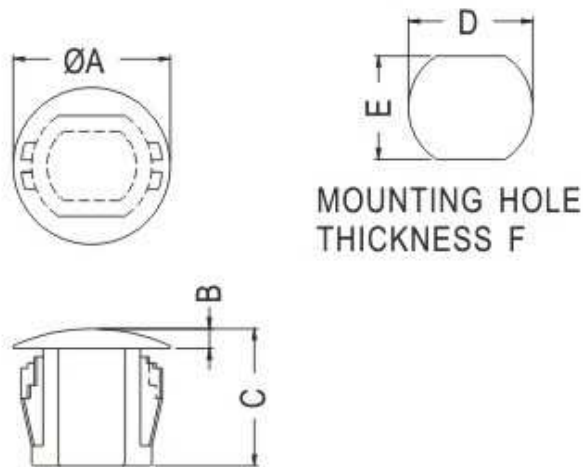
**HESTORE.HU**  
elektronikai alkatrész áruház

**EN:** This Datasheet is presented by the manufacturer.

Please visit our website for pricing and availability at [www.hestore.hu](http://www.hestore.hu).



- ◆ MATERIAL: NYLON 66 (UL)
- ◆ FLAME CLASS: 94V-2
- ◆ COLOR: BLACK
- ◆ UNIT: mm



<b>PART NO</b>	<b>A</b>	<b>B</b>	<b>C</b>	<b>D</b>	<b>E</b>	<b>F</b>	<b>PACKAGE</b>
M9.5U	12.0	1.5	10.5	9.5	7.9	0.8~3.5	1000
M12U	16.2	19.9	10.6	12.7	11.5	0.8~3.0	500
M16U	18.6	19.9	10.6	15.9	14.0	0.8~3.5	500
M19U	22.7	19.9	10.6	19.0	16.5	0.8~3.0	500