

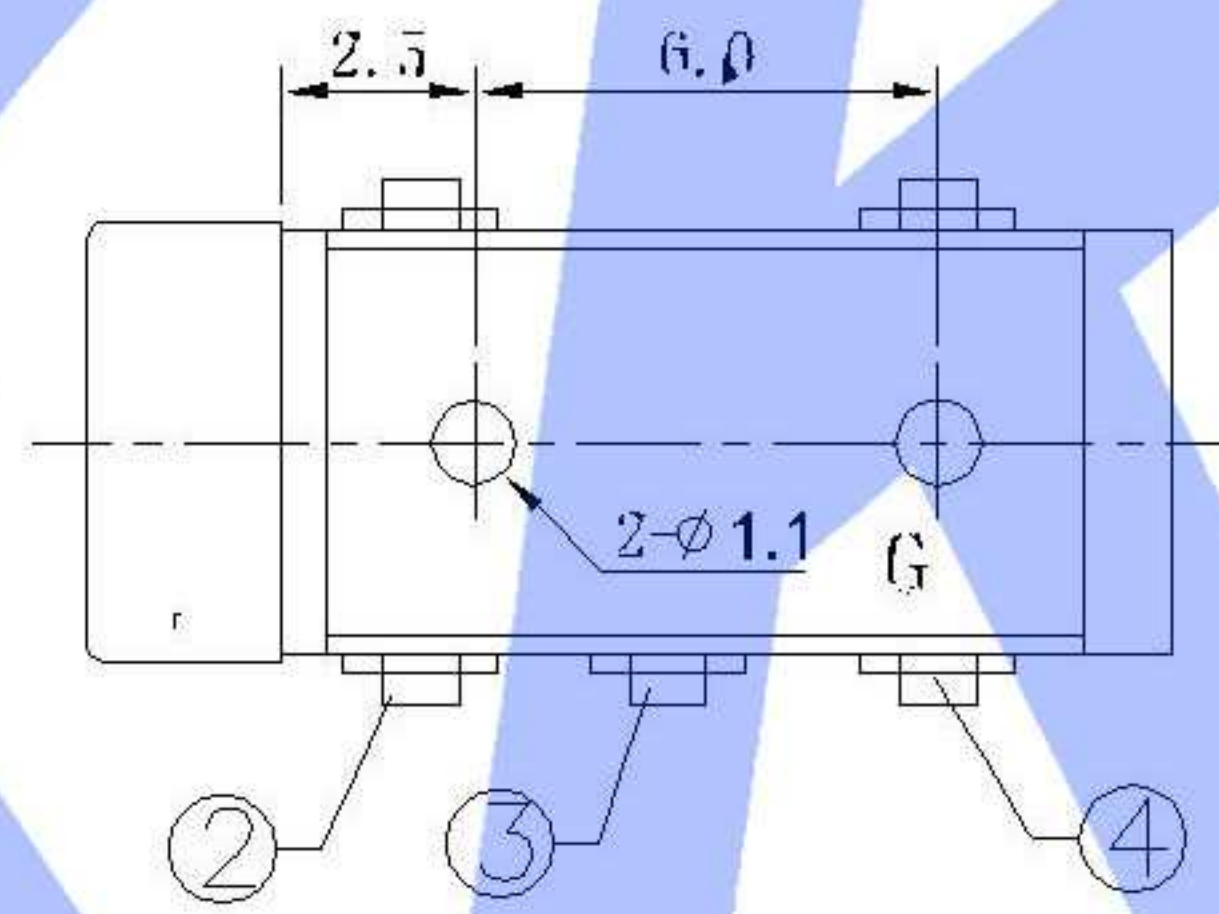
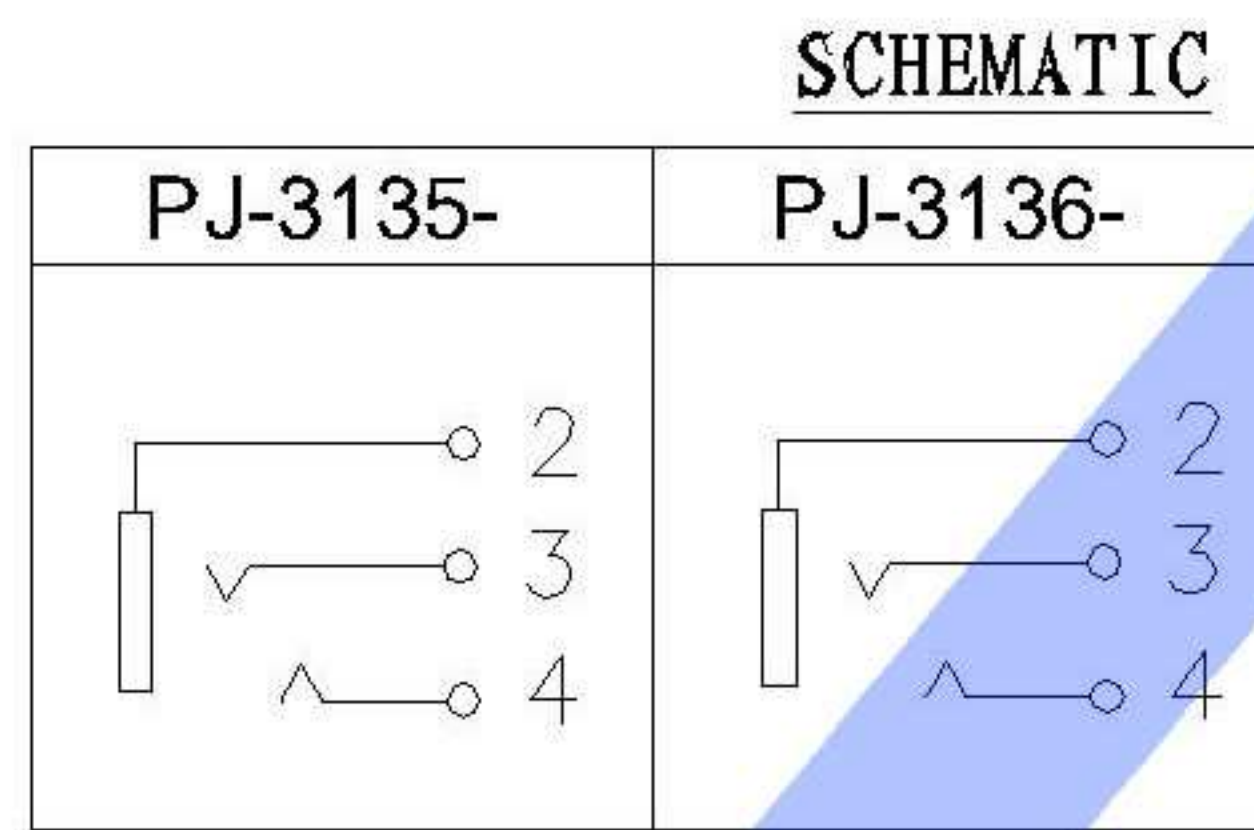
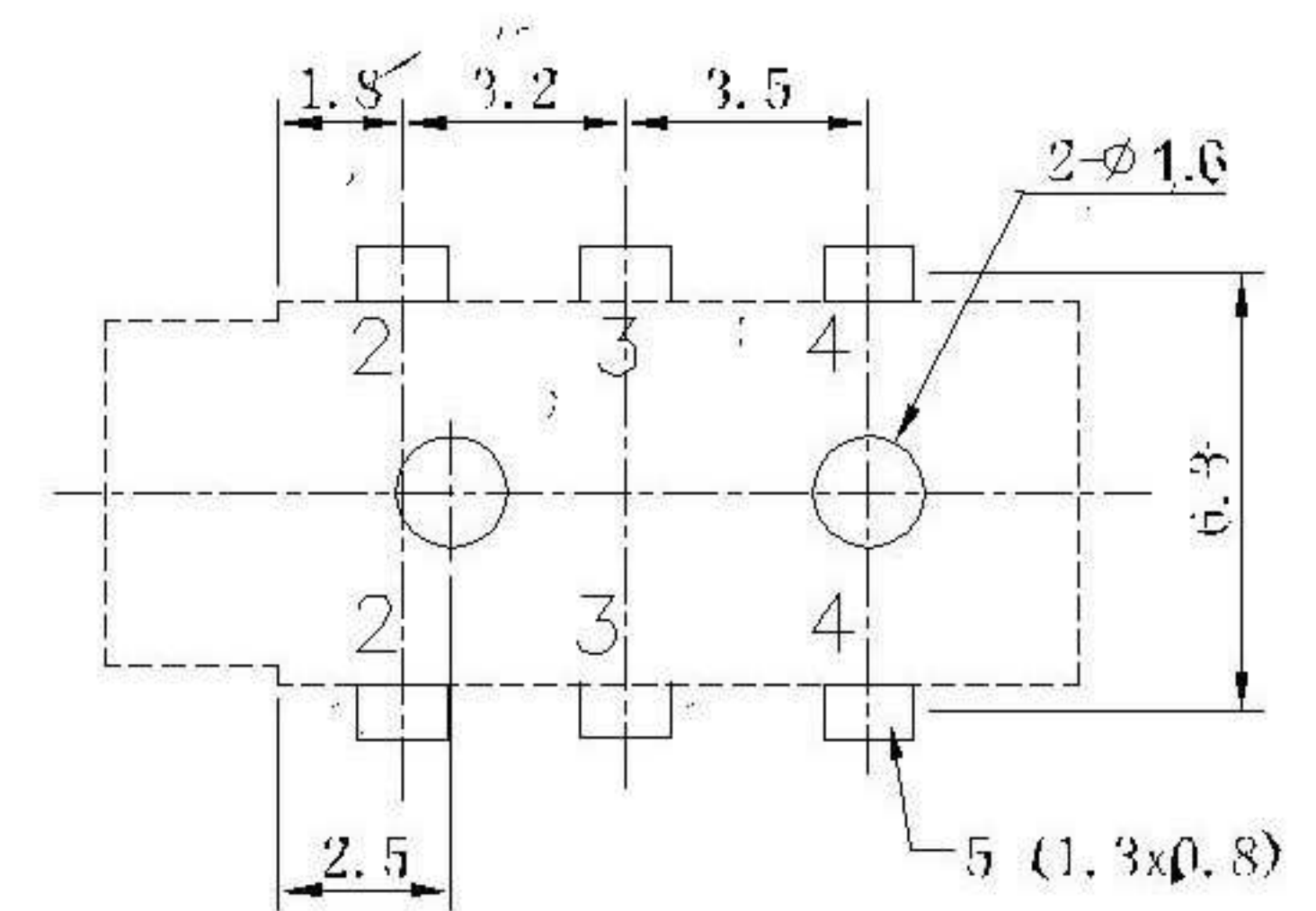
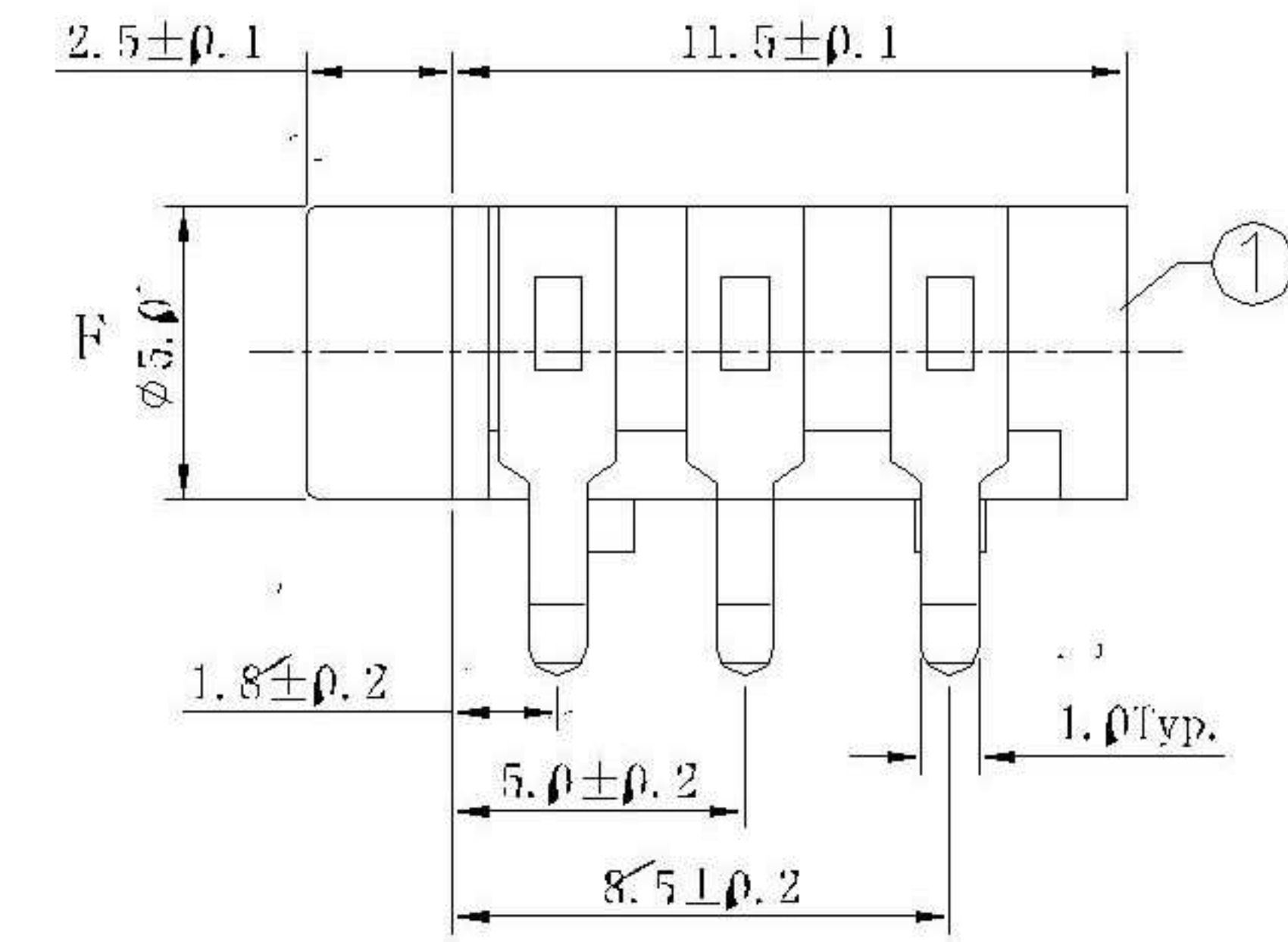
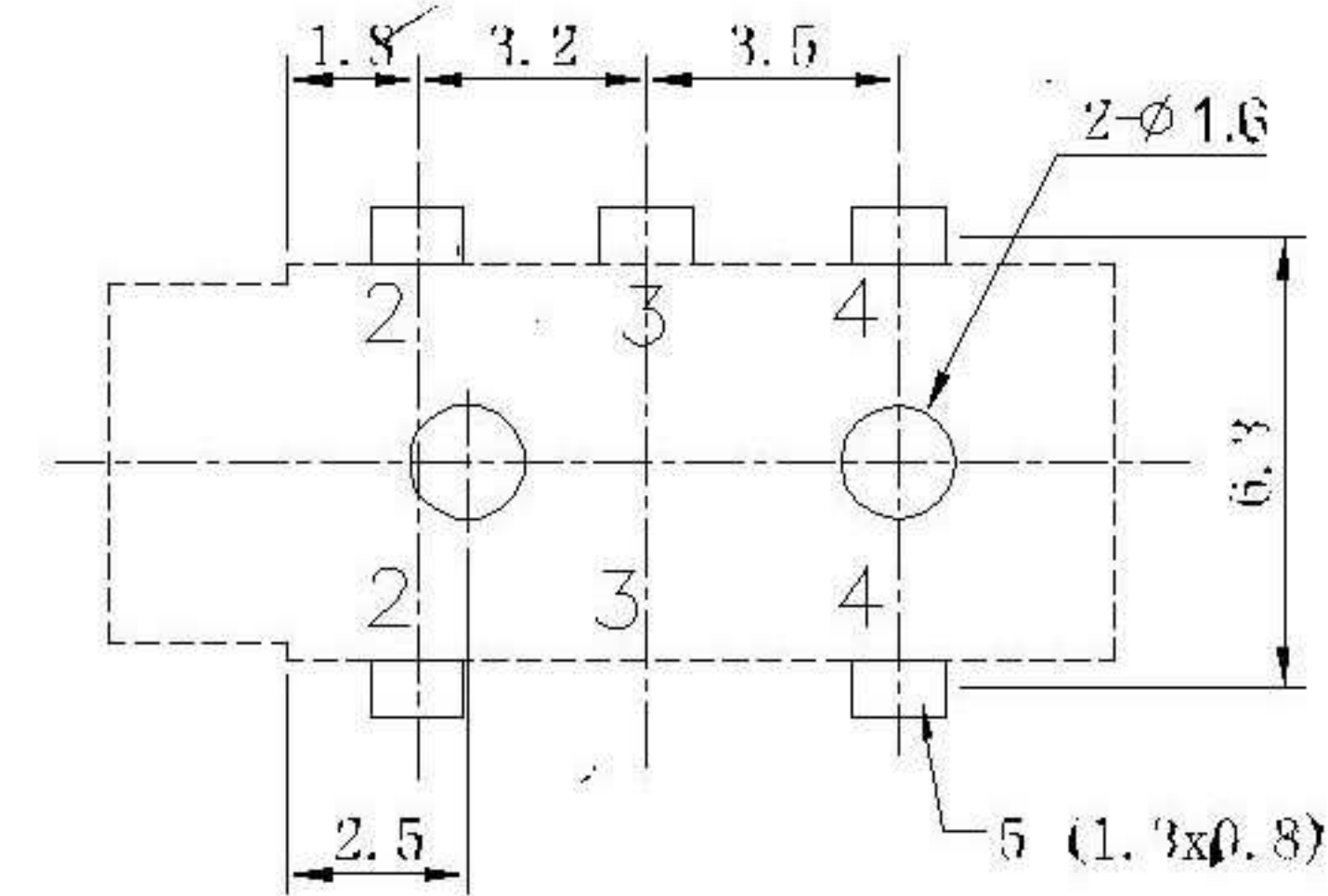
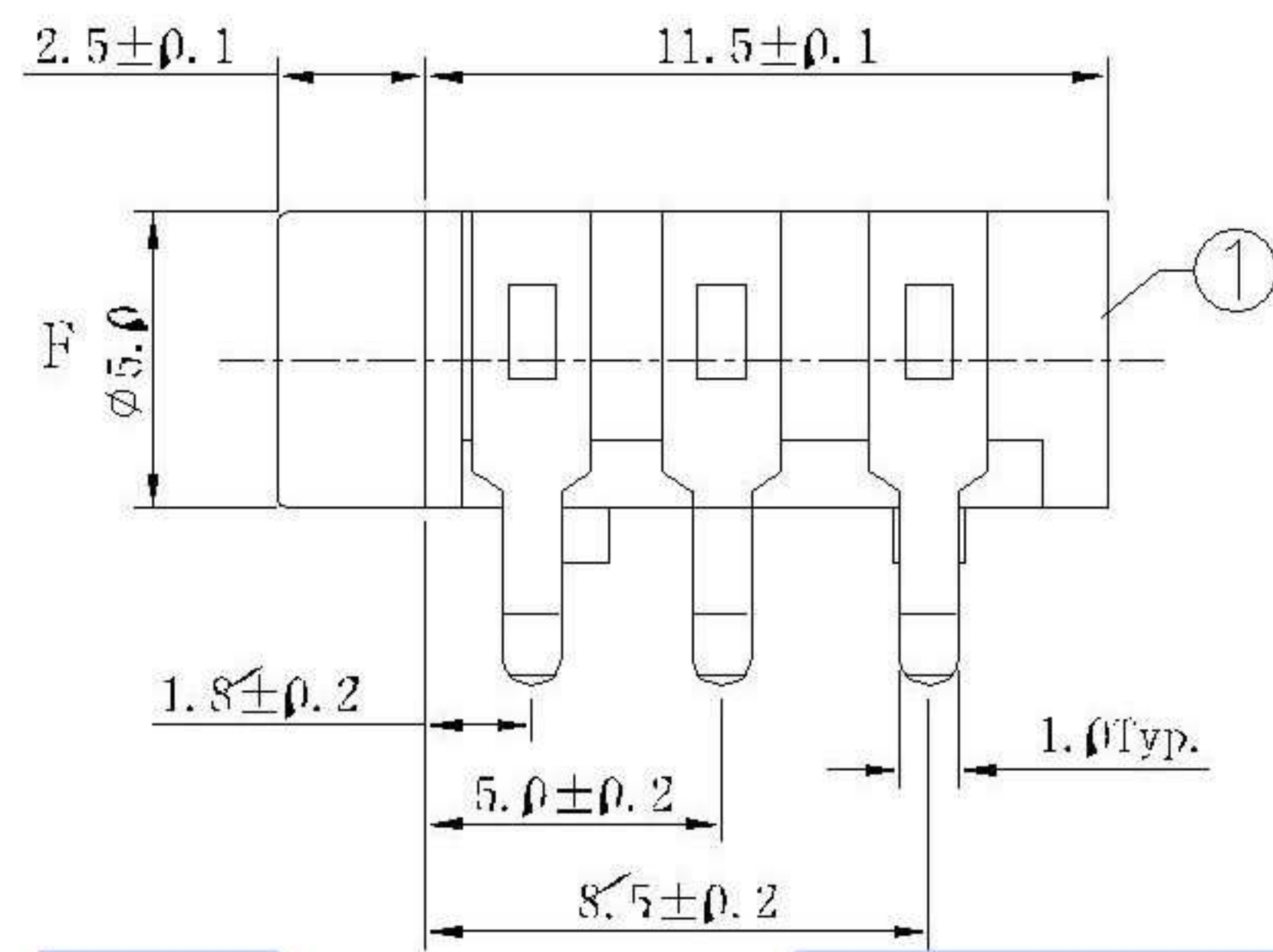
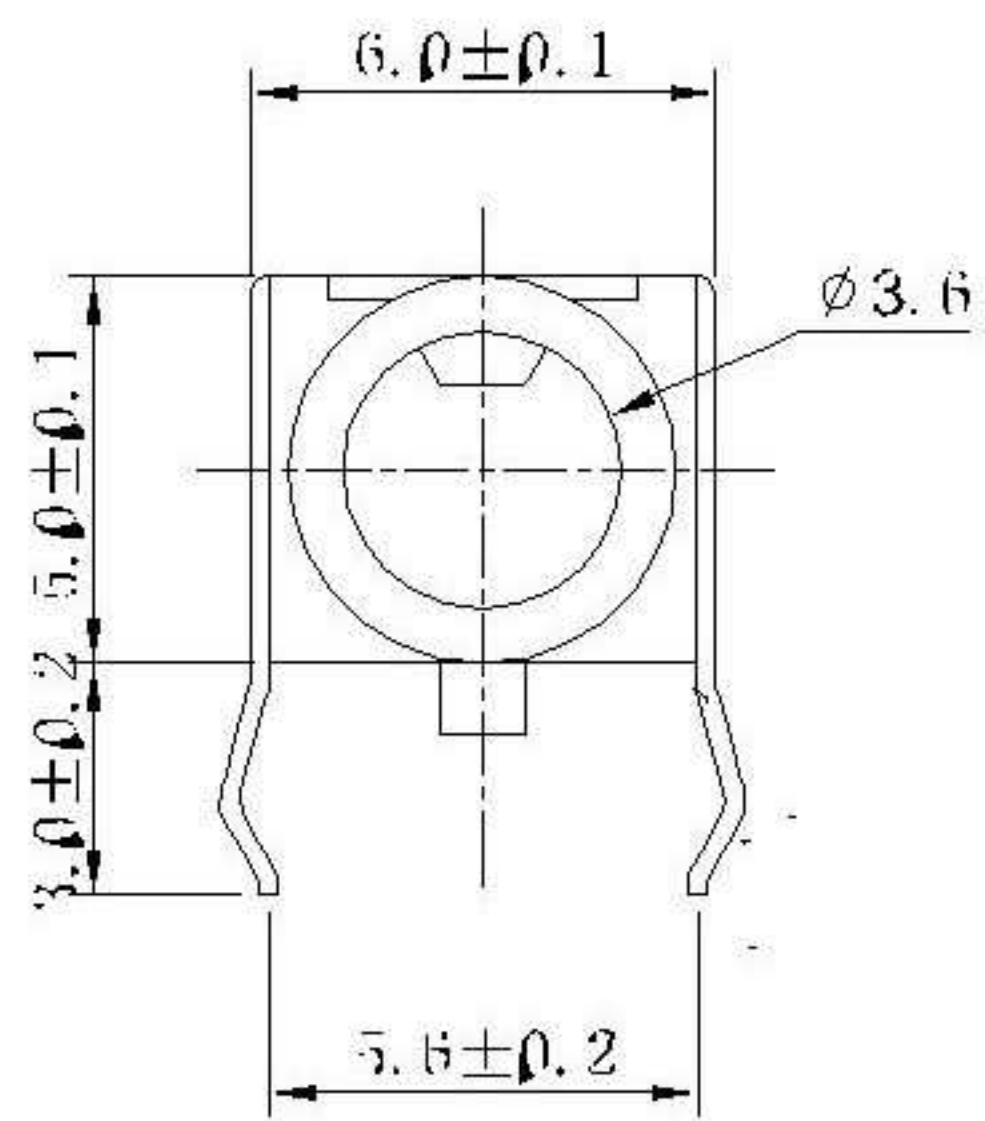


HESTORE.HU

elektronikai alkatrész áruház

EN: This Datasheet is presented by the manufacturer.

Please visit our website for pricing and availability at www.hestore.hu.



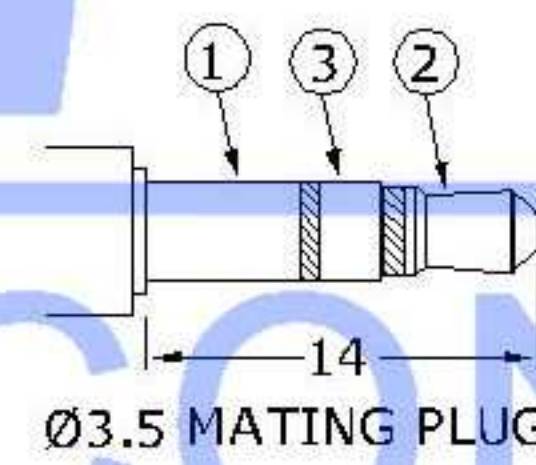
PJ-3135-

SPECIFICATION

- 1 Rating : DC 30V 10A
- 2 Contact resistance : $\leq 30m\Omega$
- 3 Insulation resistance : $\geq 100M\Omega$
- 4 Withstand voltage : 500VAC
- 5 Insertion and extraction force : 3-20N
- 6 life test : 5,000 cycles

PJ-3136-

SWITCH CONNECTOR



| | |
|----------|---------------|
| R:red | G:green |
| Y:yellow | B:black |
| W:white | T:transparent |

| | MATERIAL | PLATING |
|------------|---------------|---------|
| terminal 1 | copper all oy | silver |
| terminal 2 | copper all oy | silver |
| terminal 3 | copper all oy | silver |
| terminal 4 | copper all oy | silver |
| plastic | PA9T | |

| MARK | DESCRIPTION | DATE | REVISED | APPROVED | UNSPECIFIED TOLERANCES | DSND | DATE | SCALE: N/A | MODEL TYPE: 3.5 PHONE JACK | | |
|---|-------------|------|---------|----------|------------------------|------|------|------------|-------------------------------|--------------|----------------|
| ΔX | | | | | ANGULAR ±5° | DWN | DATE | VIEW: | PART NO.: | | |
| ΔX | | | | | L ≤ 4 ±0.2 | CHKD | DATE | UNIT: mm | DWG NO.: PJ-313X-X | | |
| ΔX | | | | | 4 < L ≤ 16 ±0.3 | APPD | DATE | SIZE: A4 | | | |
| | | | | | 16 < L ≤ 63 ±0.4 | | | | | | |
| | | | | | L > 63 ±0.5 | | | | | | |
| XKB INDUSTRIAL PRECISION CO.,LIMITED | | | | | | | | | WEIGHT 1.0g | SHEET 1/1 | REVISION A0 |