

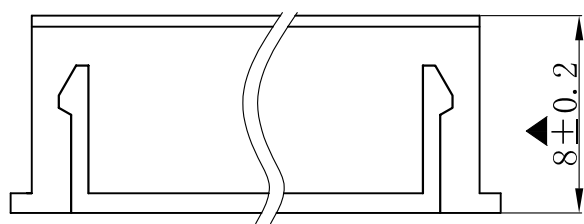
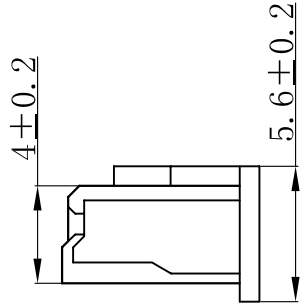
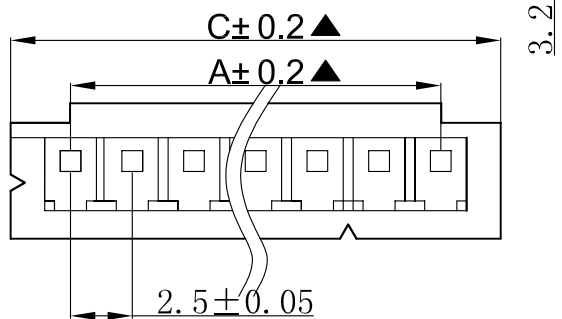
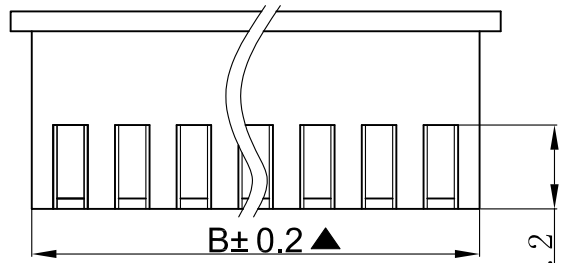


**HESTORE.HU**

elektronikai alkatrész áruház

**EN:** This Datasheet is presented by the manufacturer.

Please visit our website for pricing and availability at [www.hestore.hu](http://www.hestore.hu).



技术参数:

孔位: 2-16孔

间距: 2.5mm

适用线规: #22~#32

温度范围: -25° ~85C°

额定电压: 250V DC/AC

额定电流: 3A

接触电阻: ≤20MΩ

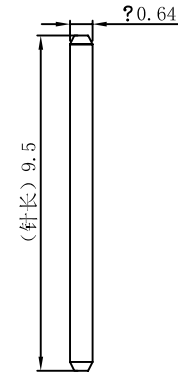
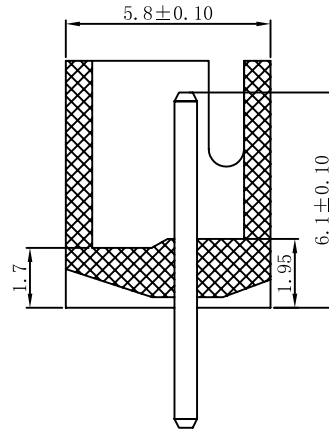
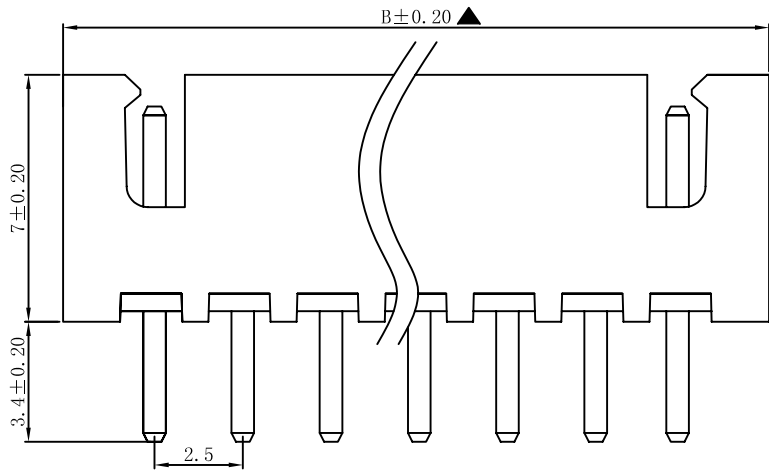
绝缘电阻: ≥1000MΩ

耐压: 1000V Ac/分钟

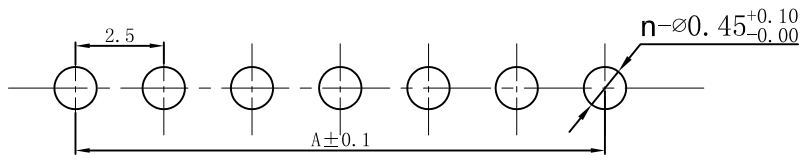
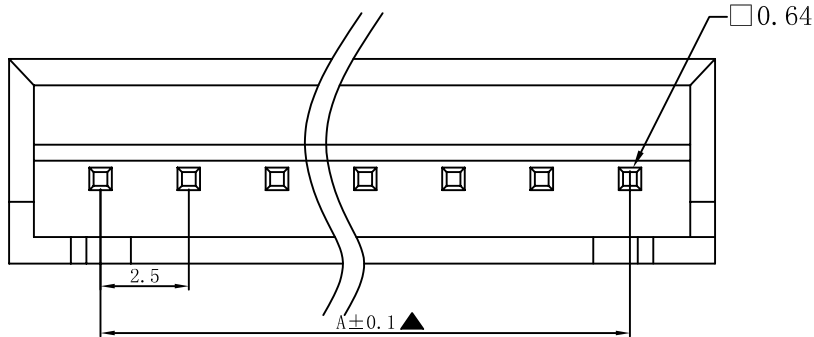
材料: 0520料

|    |      |      |      |      |      |      |      |      |
|----|------|------|------|------|------|------|------|------|
| 孔位 | 2    | 3    | 4    | 5    | 6    | 7    | 8    | 9    |
| A  | 2.5  | 5    | 7.5  | 10   | 12.5 | 15   | 17.5 | 20   |
| B  | 5.7  | 8.2  | 10.7 | 13.2 | 15.7 | 18.2 | 20.7 | 23.2 |
| C  | 7.5  | 10   | 12.5 | 15   | 17.5 | 20   | 22.5 | 25   |
| 孔位 | 10   | 11   | 12   | 13   | 14   | 15   | 16   |      |
| A  | 22.5 | 25   | 27.5 | 30   | 32.5 | 35   | 37.5 |      |
| B  | 25.7 | 28.2 | 30.7 | 33.2 | 35.7 | 38.2 | 40.7 |      |
| C  | 27.5 | 30   | 32.5 | 35   | 37.5 | 40   | 42.5 |      |

|                                      |                         |                             |                                    |                        |
|--------------------------------------|-------------------------|-----------------------------|------------------------------------|------------------------|
| UNIT: MM                             | TYPE: HOUSING           | MODEL NO: XH-nY             | 日期 DATE<br>YR/MO/DAY<br>2008/06/20 | 页次1 OF 1<br>PAGE1 OF 1 |
| 设计控制<br>DESIGNER BY<br>CHENGUANGQIAO | 文件编号<br>DOCUMENT NUMBER | 未注公差<br>TOLERANCE<br>± 0.15 | 角度公差<br>ANGLES<br>± 1.5°           | 比例<br>SCALE<br>FIT     |
| 绘制<br>DRAFTSMAN BY<br>吴人地            | 审核<br>CHECKED BY<br>叶文静 | 批准<br>APPROVED BY<br>陈光桥    | 供应商<br>COME OUT WITH<br>BOOMELE    | 版本<br>VER<br>1.0       |



(铜针例图)



线路板安装尺寸

技术参数:

孔位: 2-16孔

间距: 2.5mm

适用线规: #22~#32

温度范围: -25° ~85C°

额定电压: 250V DC/AC

额定电流: 3A

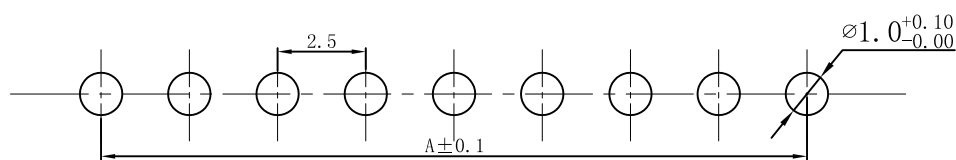
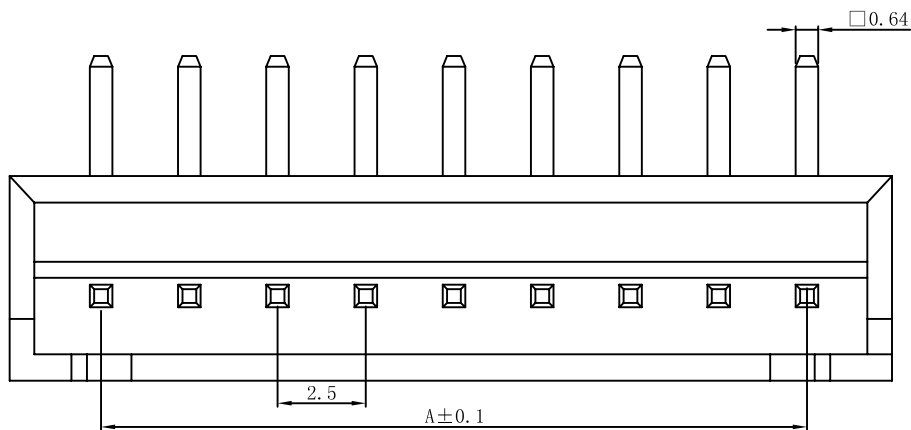
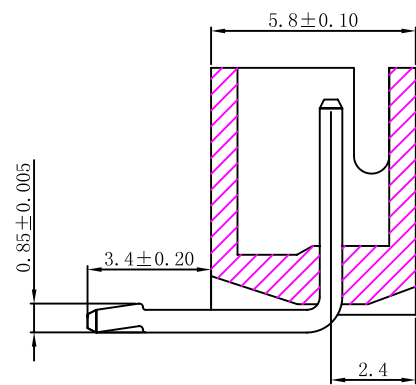
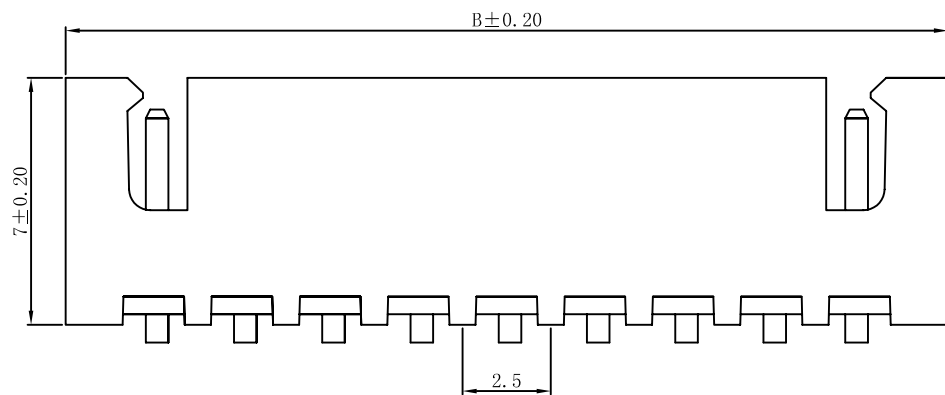
接触电阻: ≤20mΩ

绝缘电阻: ≥1000MΩ

耐压: 1000V Ac/分钟

|    |      |      |      |      |      |      |      |      |
|----|------|------|------|------|------|------|------|------|
| 孔位 | 2    | 3    | 4    | 5    | 6    | 7    | 8    | 9    |
| A  | 2.5  | 5.0  | 7.5  | 10.0 | 12.5 | 15.0 | 17.5 | 20.0 |
| B  | 7.5  | 10.0 | 12.5 | 15.0 | 17.5 | 20.0 | 22.5 | 25.0 |
| 孔位 | 10   | 11   | 12   | 13   | 14   | 15   | 16   |      |
| A  | 22.5 | 25.0 | 27.5 | 30.0 | 32.5 | 35.0 | 37.5 |      |
| B  | 27.5 | 30.0 | 32.5 | 35.0 | 37.5 | 40.0 | 42.5 |      |

|                                      |                           |                             |                                    |                        |
|--------------------------------------|---------------------------|-----------------------------|------------------------------------|------------------------|
| UNIT: MM<br>                         | TYPE:<br><b>CONNECTOR</b> | MODEL NO:<br>XH-nA          | 日期 DATE<br>YR/MO/DAY<br>2008/06/20 | 页次1 OF 1<br>PAGE1 OF 1 |
| 设计控制<br>DESIGNER BY<br>CHENGUANGQIAO | 文件编号<br>DOCUMENT NUMBER   | 未注公差<br>TOLERANCE<br>± 0.15 | 角度公差<br>ANGLES<br>± 1.5°           | 比例<br>SCALE<br>FIT     |
| 绘制<br>DRAFTSMAN BY<br>吴人地            | 审核<br>CHECKED BY<br>叶文静   | 批准<br>APPROVED BY<br>陈光桥    | 供应商<br>COME OUT WITH<br>BOOMELE    | 版本<br>VER<br>1.0       |



技术参数:  
 孔位: 2-16孔  
 间距: 2.5mm  
 适用线规: #22~#32  
 温度范围: -25° ~85°C  
 额定电压: 250V DC/AC  
 额定电流: 3A  
 接触电阻:  $\leq 20m\Omega$   
 绝缘电阻:  $\geq 1000M\Omega$   
 耐压: 1000V Ac/分钟

线路板安装尺寸

|    |      |      |      |      |      |      |      |      |
|----|------|------|------|------|------|------|------|------|
| 孔位 | 2    | 3    | 4    | 5    | 6    | 7    | 8    | 9    |
| A  | 2.5  | 5.0  | 7.5  | 10.0 | 12.5 | 15.0 | 17.5 | 20.0 |
| B  | 7.5  | 10   | 12.5 | 15   | 17.5 | 20   | 22.5 | 25   |
| 孔位 | 10   | 11   | 12   | 13   | 14   | 15   | 16   |      |
| A  | 22.5 | 25.0 | 27.5 | 30.0 | 32.5 | 35.0 | 37.5 |      |
| B  | 27.5 | 30   | 32.5 | 35   | 37.5 | 40   | 42.5 |      |

|                      |                                 |                      |                               |                       |
|----------------------|---------------------------------|----------------------|-------------------------------|-----------------------|
| UNIT: MM             | TYPE: CONNECTOR                 | MODEL NO: XH-nAW     | 日期 DATE YR/MO/DAY: 2008/06/20 | 页次 1 OF 1 PAGE 1 OF 1 |
|                      | 设计控制 DESIGNER BY: CHENGUANGQIAO | 文件编号 DOCUMENT NUMBER | 未注公差 TOLERANCE: ±0.20         | 角度公差 ANGLES: ±1.5°    |
| 绘制 DRAFTSMAN BY: 吴人地 | 审核 CHECKED BY: 叶文静              | 批准 APPROVED BY: 陈光桥  | 比例 SCALE: FIT                 | 版本 VER: 1.0           |
|                      | 供应商 COME OUT WITH: BOOMELE      |                      |                               |                       |