

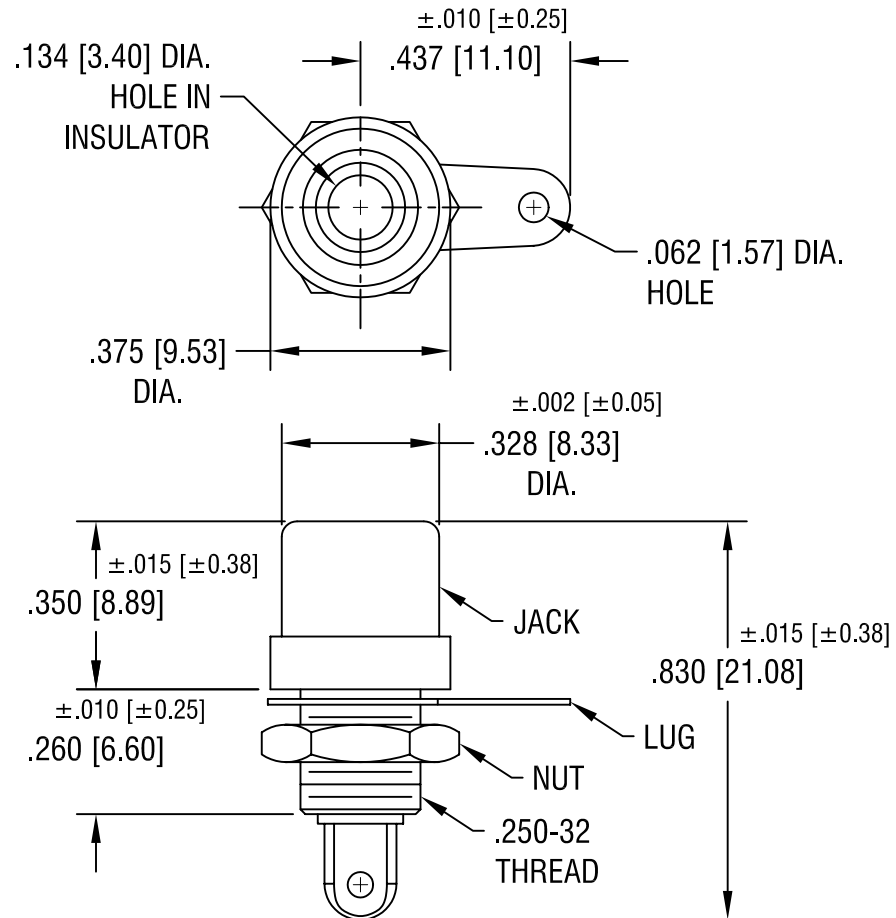


**HESTORE.HU**

elektronikai alkatrész áruház

**EN:** This Datasheet is presented by the manufacturer.

Please visit our website for pricing and availability at [www.hestore.hu](http://www.hestore.hu).



NOTE:

1. INSULATOR: BLACK

**KEYSTONE ELECTRONICS CORP.**

ASTORIA, N.Y. 11105-2017

PART NAME

PHONO JACK

MATERIAL

BRASS

FINISH

NICKEL PLATE

DRN BY

BOONE

DATE

2.21.82

APPD

LN

SCALE

2.5X

8.30.01 CHANGE AS PER ECN 01-060

B

TOLERANCES

INCH [MM]

DECIMAL  $\pm .005 [\pm 0.15]$

ANGULAR  $\pm 1^\circ$

UNLESS OTHERWISE SPECIFIED

CODE

C/M

DWG NO.

574

DATE

DESCRIPTION

REV.