



**HESTORE.HU**

elektronikai alkatrész áruház

**EN:** This Datasheet is presented by the manufacturer.

Please visit our website for pricing and availability at [www.hestore.hu](http://www.hestore.hu).

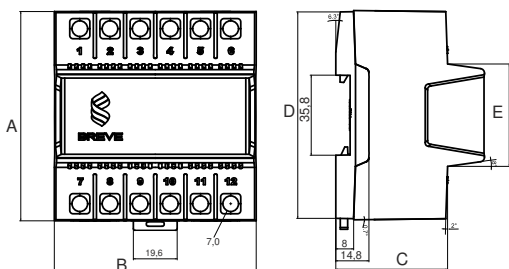
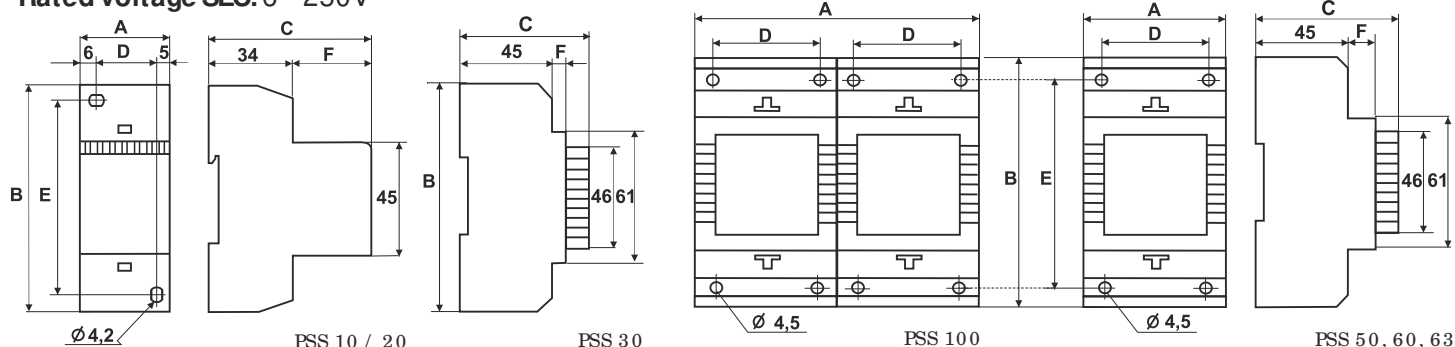


Encased protection transformers designed mainly for fitting into devices using T-35 bus. Elegant casing, featuring spring bracket significantly facilitates and speeds up attaching. The transformers are made with Class II insulation and protection grade IP20 (N-series), IP30 or IP40 (PSS10, PSS20). Maximum ambient temperature 40°C, thermal class of insulation B (130°C). Protected against overload and short circuit on secondary with PTC. To reset the protecting device disconnect the mains for 10 seconds. Manufactured in compliance with EN 61558-2-4 and EN 61558-2-6.

**Rated power: 10 – 100VA**

**Rated voltage PRI: 110 – 500V 50/60 Hz**

**Rated voltage SEC: 6 – 250V**



PSS 50 N, PSS 63 N, PSS 80 N



PSS



PSS N

Type	Article number	Power [VA]	Dimensions [mm]					Weight [kg]
			A	B	C	D	E	
PSS 10 230/ 24V	16024-0150	10	35	92	66	24	79	0,32
PSS 20 230/ 24V	16024-0178	20	53	110	66	40	88	0,56
PSS 30 230/ 12V	16012-9983	30	72	110	63	52	98	0,9
PSS 30 230/ 24V	16024-9997	30	72	110	63	52	98	0,9
PSS 50 230/ 12V	16012-9981	50	72	110	72	52	98	1,1
PSS 50 230/ 24V	16024-9994	50	72	110	72	52	98	1,1
PSS 50N 230/ 12V	16012-9905	50	94	90	50	92	46	1,1
PSS 50N 230/ 24V	16024-9888	50	94	90	50	92	46	1,1
PSS 60 230/ 24V	16024-9938	60	72	110	72	52	98	1,2
PSS 63 230/ 12V	16012-9976	63	72	110	72	52	98	1,2
PSS 63 230/ 24V	16024-9979	63	72	110	72	52	98	1,2
PSS 63N 230/ 12V	16012-9907	63	94	90	50	92	46	1,1
PSS 63N 230/ 24V	16024-9890	63	94	90	50	92	46	1,1
PSS 80N 230/ 12V	16012-9906	80	94	90	50	92	46	1,3
PSS 80N 230/ 24V	16024-9889	80	94	90	50	92	46	1,3
PSS 100 230/ 12V	16012-9975	100	144	110	72	52	98	2,2
PSS 100 230/ 24V	16024-9973	100	144	110	72	52	98	2,2

As a result of constant development of product construction and changes concerning technical requirements, Breve Tufvassons reserves the right to change the parameters mentioned above.