



**HESTORE.HU**

elektronikai alkatrész áruház

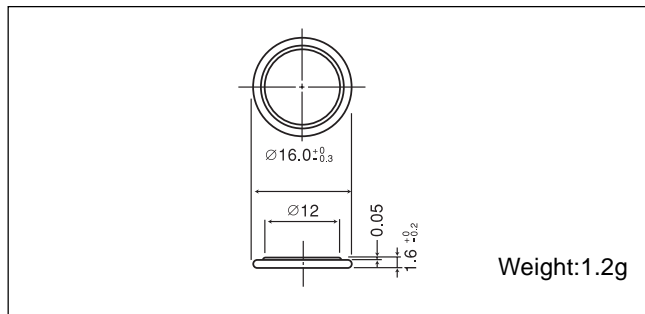
**EN:** This Datasheet is presented by the manufacturer.

Please visit our website for pricing and availability at [www.hestore.hu](http://www.hestore.hu).

# Manganese Dioxide Lithium Coin Batteries: Individual Specifications

## CR1616

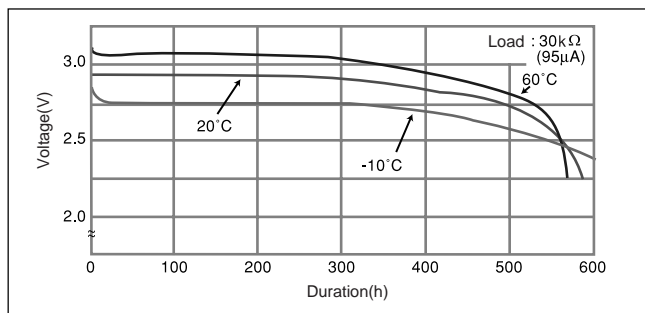
### ■ Dimensions(mm)



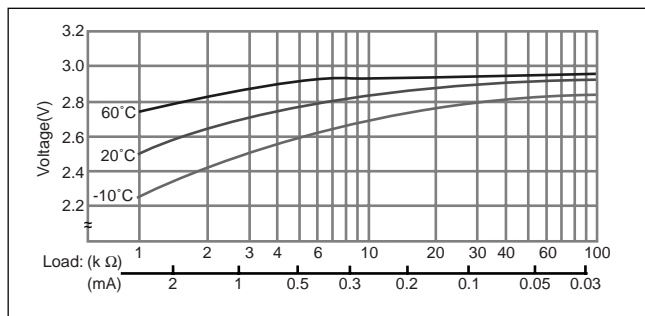
### ■ Specification

<b>Nominal voltage (V)</b>	3
<b>Nominal capacity (mAh)</b>	55
<b>Continuous standard load (mA)</b>	0.1
<b>Operating temperature (C)</b>	-30 ~ +60

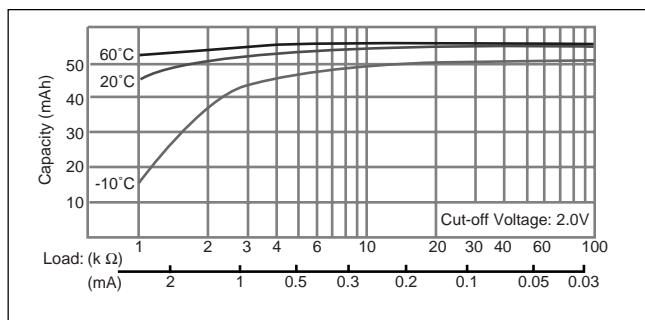
### ■ Temperature Characteristics



### ■ Operating voltage vs. load resistance (voltage at 50% discharge depth)

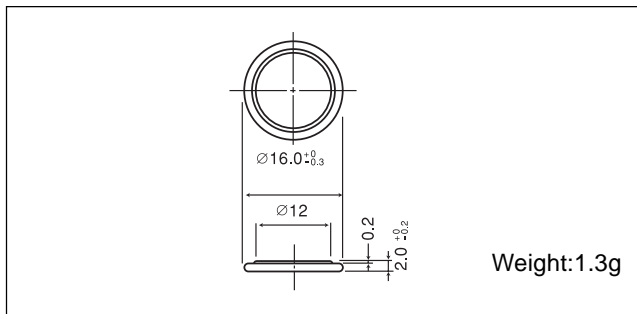


### ■ Capacity vs. load resistance



## CR1620

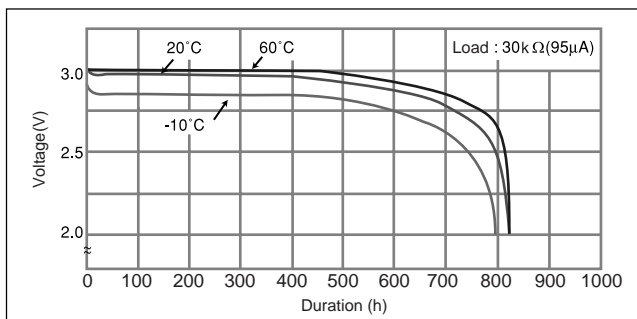
### ■ Dimensions(mm)



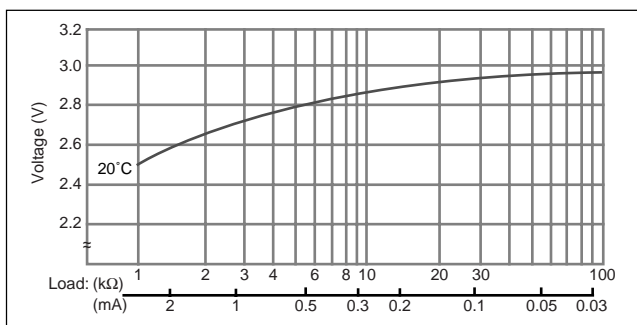
### ■ Specification

<b>Nominal voltage (V)</b>	3
<b>Nominal capacity (mAh)</b>	75
<b>Continuous standard load (mA)</b>	0.1
<b>Operating temperature (C)</b>	-30 ~ +60

### ■ Temperature Characteristics



### ■ Operating voltage vs. load resistance (voltage at 50% discharge depth)



### ■ Capacity vs. load resistance

