



**HESTORE.HU**

elektronikai alkatrész áruház

**EN:** This Datasheet is presented by the manufacturer.

Please visit our website for pricing and availability at [www.hestore.hu](http://www.hestore.hu).

## 2J4D01MP

### GNSS Magnetic/Adhesive Mount

#### Key Features

GPS/QZSS/Galileo

- 1575 MHz

Magnetic/Adhesive Mount

Ground Plane Independent

Customizable Cable and Connector

Dimensions 41 × 34 × 13.5/14.5 mm

Certificates: IP67

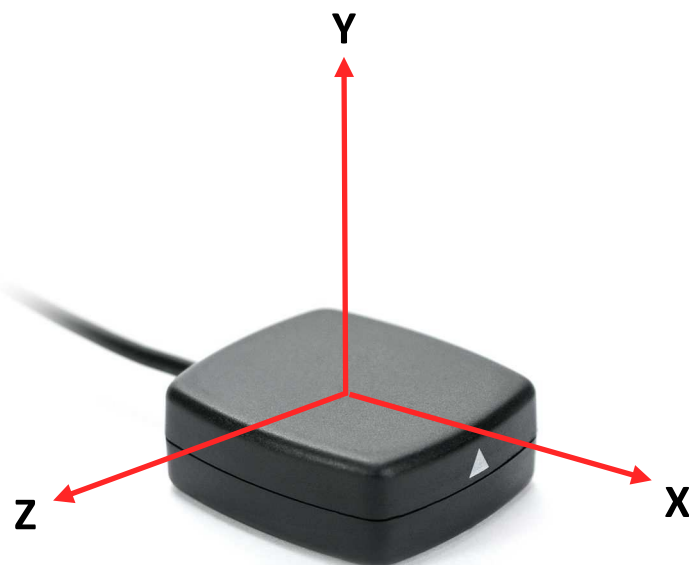


## 1. Antenna and electrical specifications

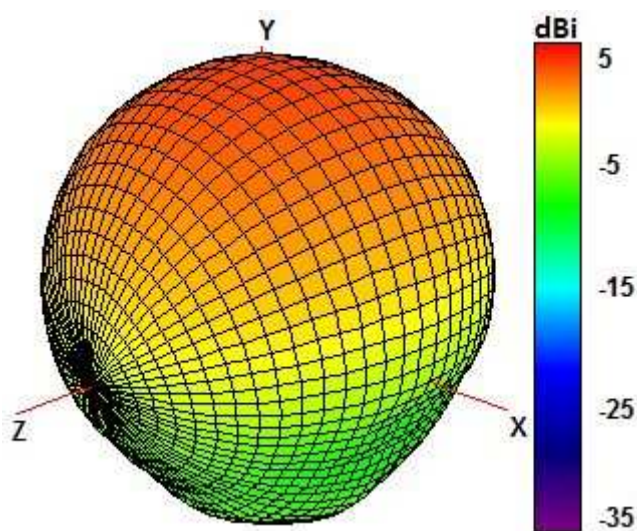
Parameters	GPS Antenna
<b>Standard</b>	GPS/QZSS/Galileo
<b>Band (MHz)</b>	1575
<b>Frequency(MHz)</b>	1575.42
<b>Patch Size (mm)</b>	25 × 25 × 4
<b>Return Loss (dB)</b>	~25 dB
<b>VSWR</b>	~1.1:1
<b>Impedance</b>	50
<b>Radiation Pattern</b>	Hemispherical
<b>Axial Ratio (dB)</b>	3 Max.
<b>Polarization</b>	RHCP
<b>Saw Filter</b>	No Filter
<b>Active Gain (dB)</b>	26-28 @ 3-5 V
<b>Noise Figure (dB)</b>	1.2 @ 5V
<b>Voltage (V)</b>	2.7 - 5.5
<b>Current (mA)</b>	15-25
<b>Power Consumption (mW)</b>	40-138
<b>Connector Type</b>	SMA-Male Standard (Other Connectors Available)
<b>Cable Length</b>	300 cm Standard (Any Cable Length Available)
<b>Cable Type</b>	RG174 Standard (Other Cables Available)

## 2. Mechanical and environmental specifications

Specifications	2J4D01MP
<b>Mounting Type</b>	Magnetic/Adhesive Mount
<b>Dimensions (mm)</b>	41 x 34 x 13.5/14.5
<b>Random Type</b>	ABS
<b>Random Color</b>	Black
<b>Antenna Base</b>	ABS
<b>Operating Temperature (C)</b>	-40 to +85
<b>Storage Temperature (C)</b>	-40 to +85
<b>Certificates</b>	IP67
<b>Substance Compliance</b>	RoHS

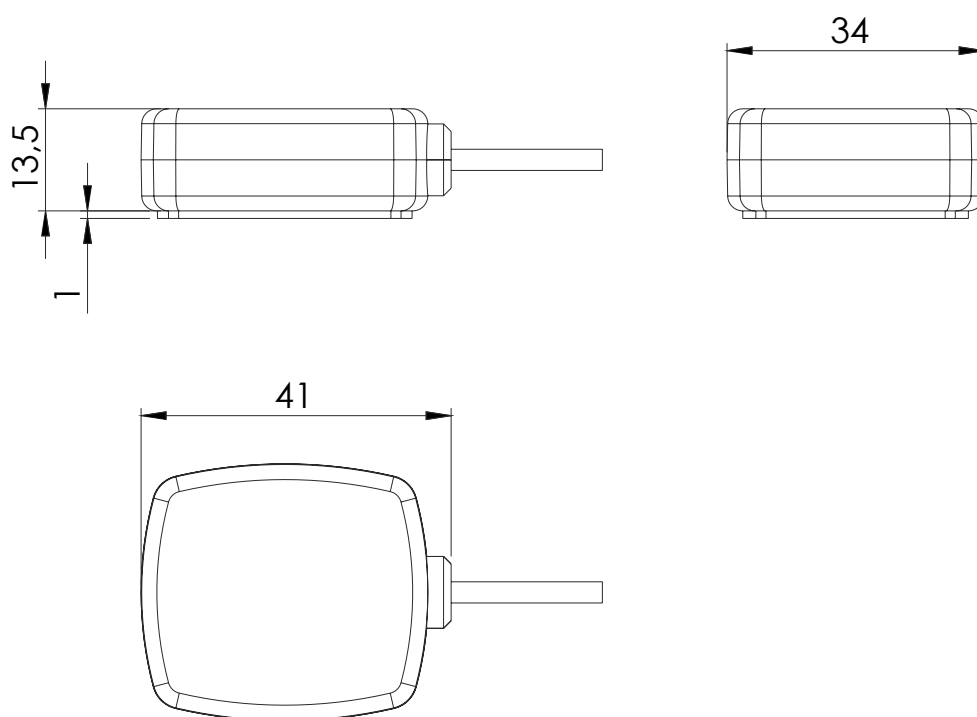


Radiation pattern reference



1575 MHz Radiation pattern

## 4. Antenna drawings



## 5. Antenna Images

