

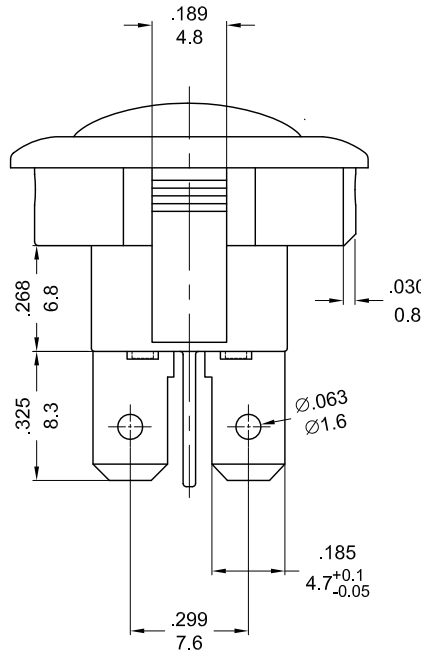
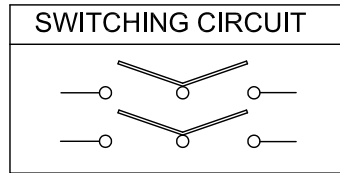
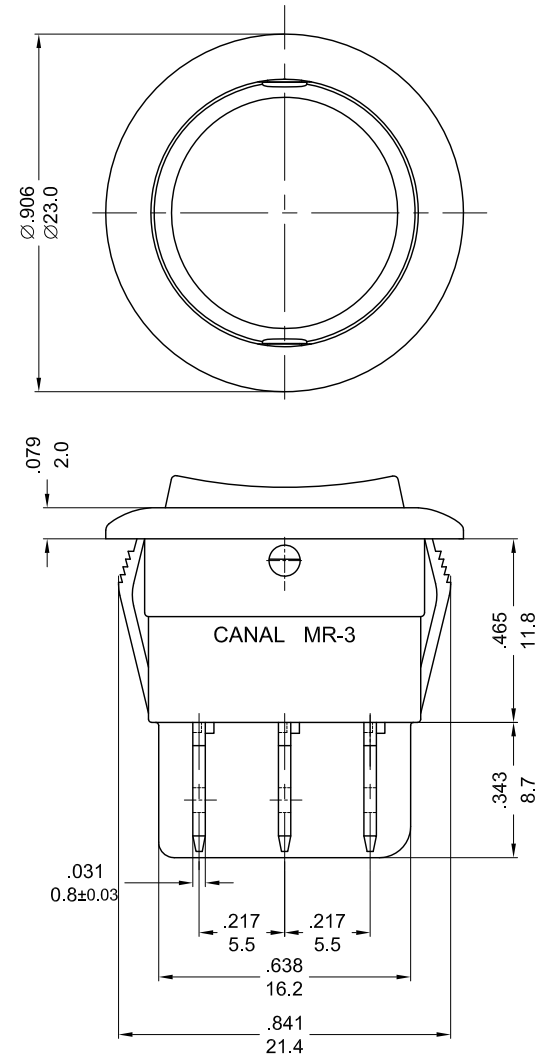


HESTORE.HU

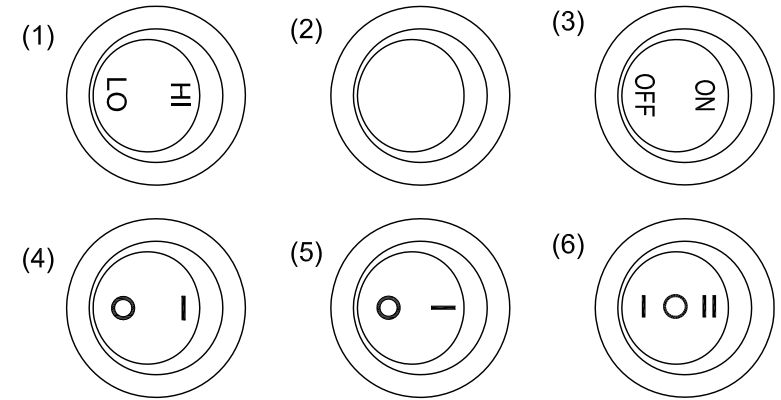
elektronikai alkatrész áruház

EN: This Datasheet is presented by the manufacturer.

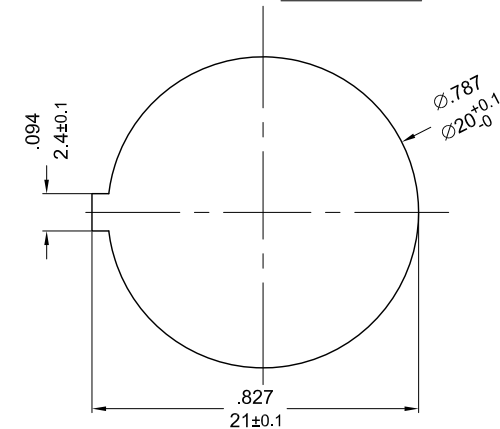
Please visit our website for pricing and availability at www.hestore.hu.



ROCKER SWITCH MODEL MR-3
 RATING: 10A 125/250VAC, (UL/CUL)
 10(4)A 250V~ T85 (FI/ENEC16)
 CONTACT RESISTANCE:20mΩ INITIAL(MAX),
 INSULATION RESISTANCE:500VDC 100MΩ(MIN),
 UITASTAND VOLTAGE:1000VAC FOR 1 MINUTE.



SCALE:1/1



NOTE: TOLERANCES UNLESS OTHERWISE PECIFIED:± 0.012/0.3 (in/mm)

PANEL CUTOUT DIMENSION TABLE

REVISION	DESCRIPTION	REVISED BY	TOLERANCES		ANGLE	UNIT	mm	PART NAME	MR-3 ROUND SPEC DRAWING	DWG NO
					1/2°					
④			DRAWN BY	郭洋	DESIGNED BY	蔡劍	SCALE	2/1	MR-3-230-R*-**N*	S4648B
③			CHECKED BY	2013.06.0 3 09:50:10 +08'00"	APPROVED BY	2013.06.0 3 09:50:23 +08'00"	DATE	2012.03.08		
②	取消CSA. 重新出圖	郭洋								
①	首次出圖	吳福濤								