



HESTORE.HU

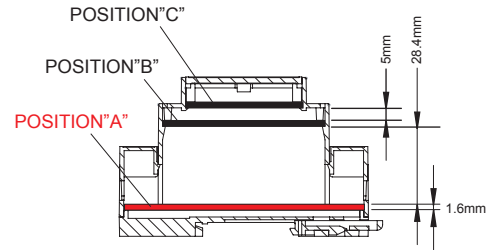
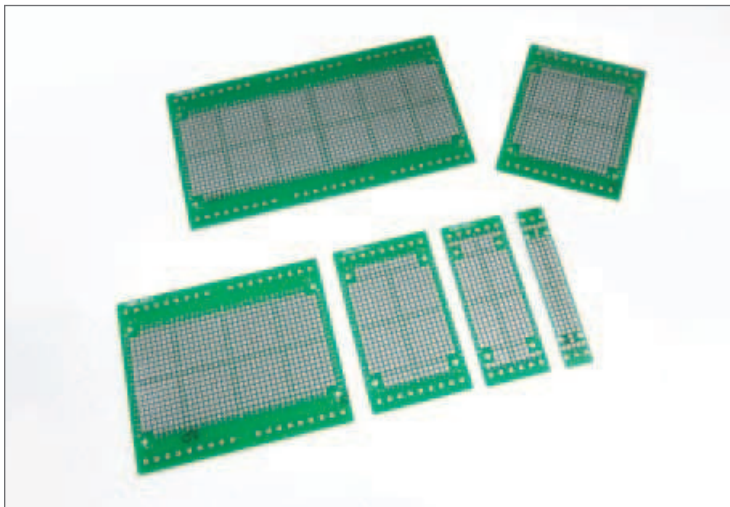
elektronikai alkatrész áruház

EN: This Datasheet is presented by the manufacturer.

Please visit our website for pricing and availability at www.hestore.hu.

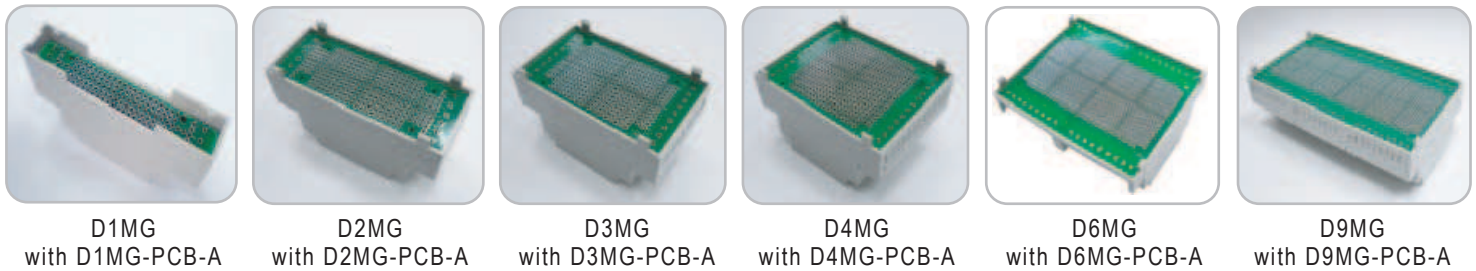
PCB and Terminal Block

PCB of position " A" for DXMG use



ITEM No.	EXTERNAL DIMENSION(mm)		
	LENGTH	WIDTH	HEIGHT
D1MG-PCB-A	14.3	86.9	1.6
D2MG-PCB-A	32.8	86.9	1.6
D3MG-PCB-A	50	86.9	1.6
D4MG-PCB-A	67.8	86.9	1.6
D6MG-PCB-A	102.8	86.9	1.6
D9MG-PCB-A	156.2	86.9	1.6

Example:



D1MG with D1MG-PCB-A

D2MG with D2MG-PCB-A

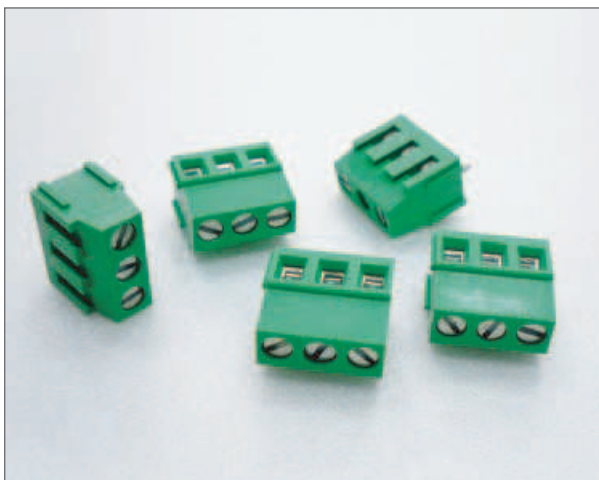
D3MG with D3MG-PCB-A

D4MG with D4MG-PCB-A

D6MG with D6MG-PCB-A

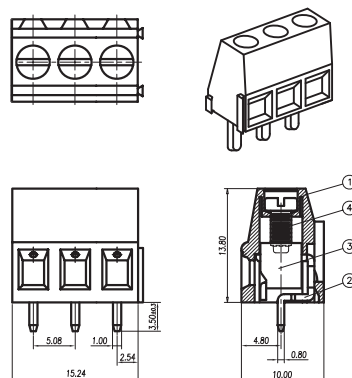
D9MG with D9MG-PCB-A

3WAY of terminal block for DXMG use



ITEM No.	PRODUCT DESCRIPTION
DXMG-3WAY	3WAY of terminal block for D2MG/D3MG/D4MG/D6MG /D9MG use

DXMG-3WAY DRAWING:



NOTES:

1. Rating: 300V 20A (IEC 250V 24A)
PITCH: 5.08mm
2. Insulation Withstands Voltage:
AC 2000V at 1 minute
3. Insulation Resistance:
500M Ω or more at DC500V
4. Using Temperature Range:
-40°C~+105°C
5. Suitable Electric Wire:
24~12AWG(IEC 0.5~2.5mm²)
6. Torque Value: 4 kg-cm
7. RoHS compliance

Example:



D2MG with 3WAY of terminal block



D6MG with 3WAY of terminal block