

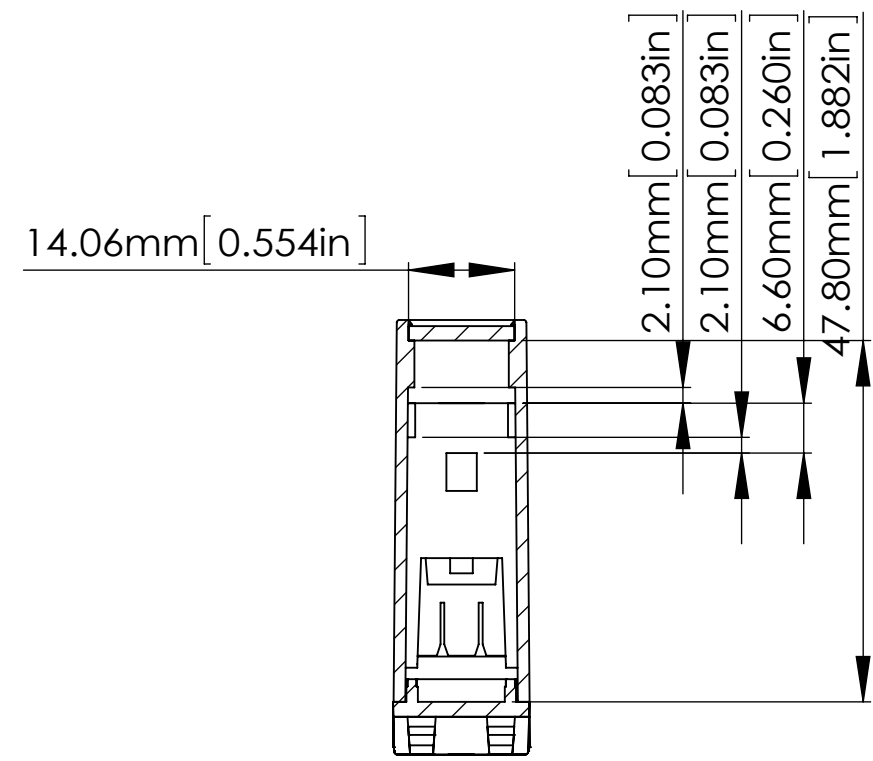


**HESTORE.HU**

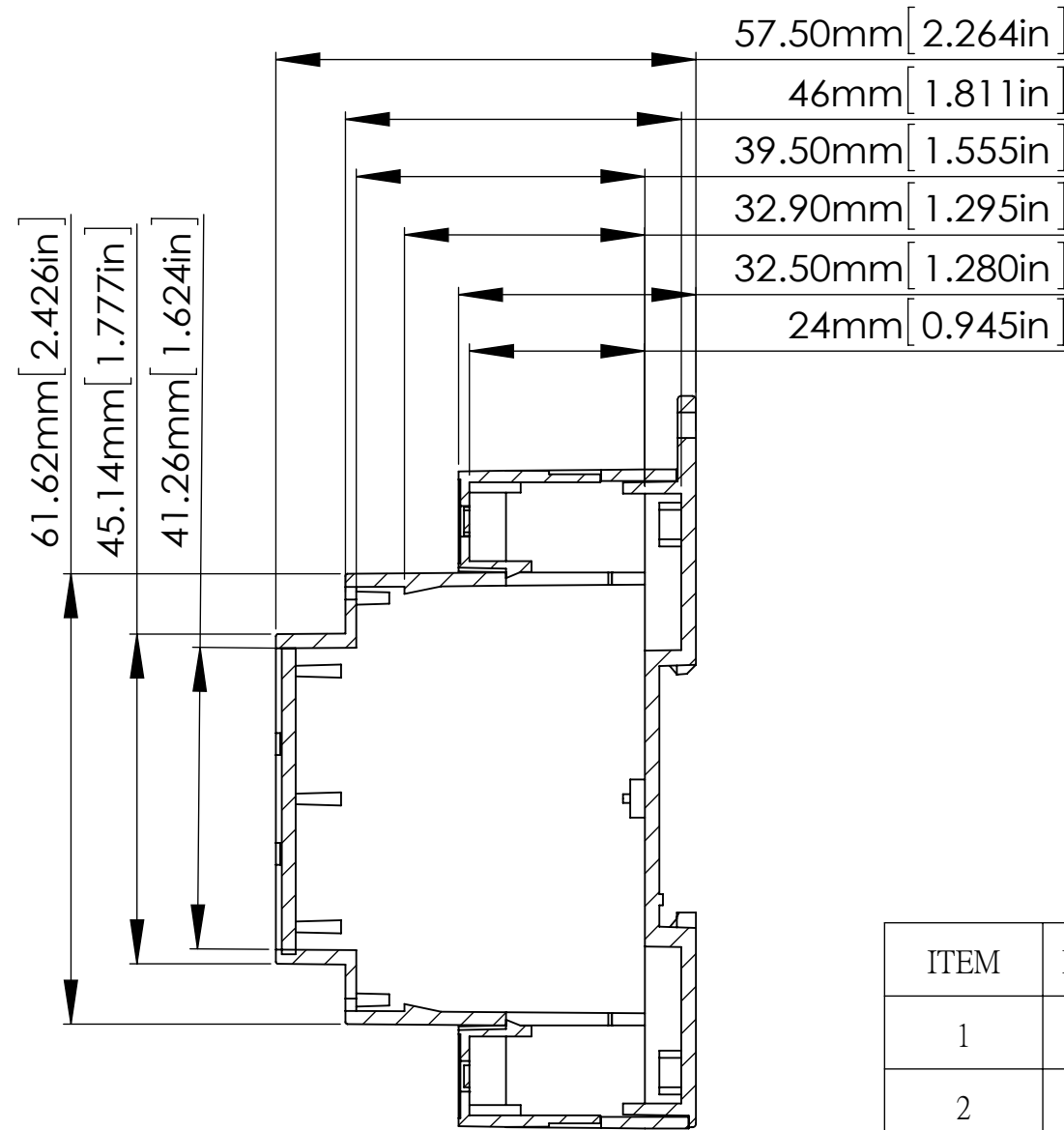
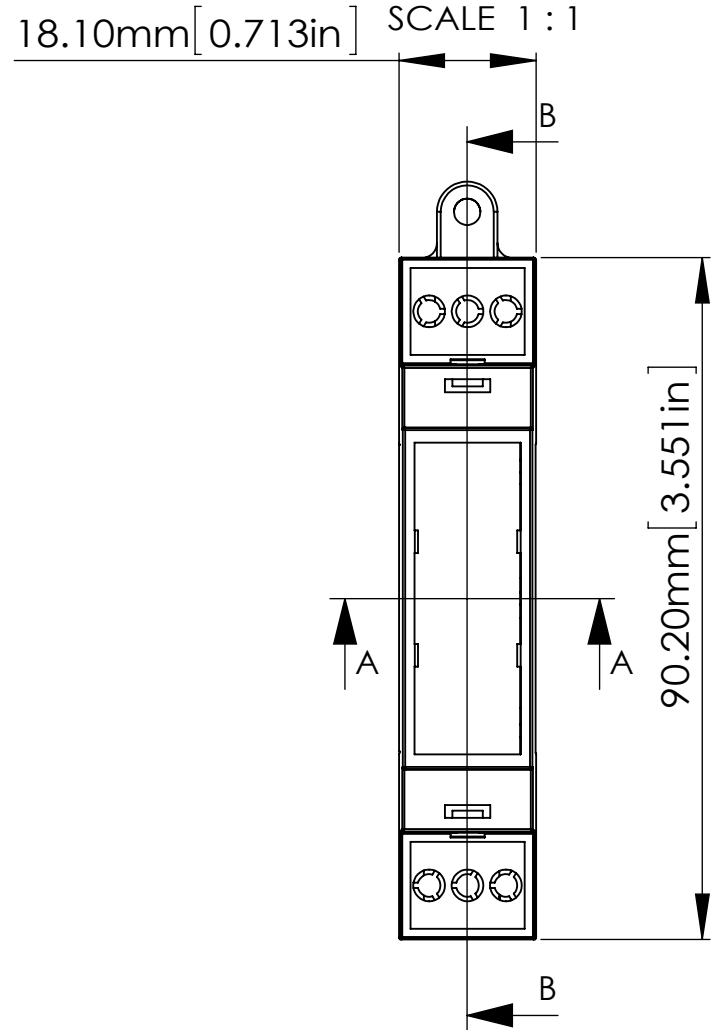
elektronikai alkatrész áruház

**EN:** This Datasheet is presented by the manufacturer.

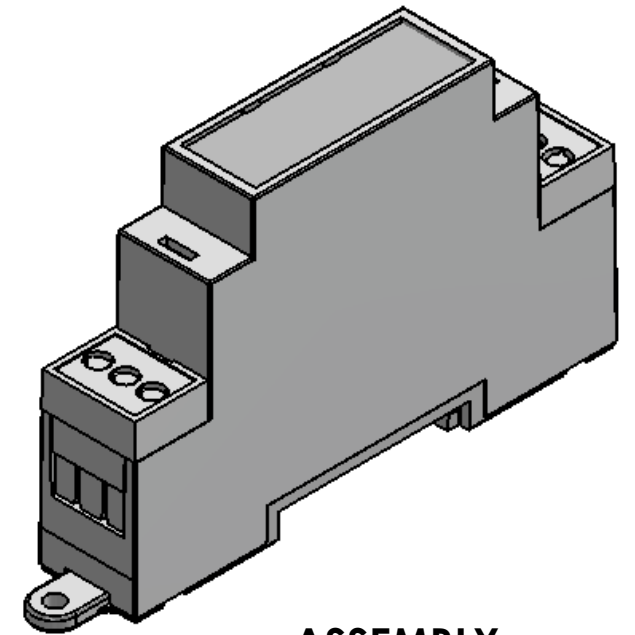
Please visit our website for pricing and availability at [www.hestore.hu](http://www.hestore.hu).



SECTION A-A  
SCALE 1 : 1



SECTION B-B  
SCALE 1 : 1



**ASSEMBLY**

ITEM	DESCRIPTION	MATERIAL	COLOUR	UNIT
1	D1MG-BODY	PC/ABS(UL94-V0)	GREY	1
2	D1MG-BASE	PC/ABS(UL94-V0)	GREY	1
3	D1MG-COVER	PC/ABS(UL94-V0)	GREY	1
4	D1MG-GUARD	PC/ABS(UL94-V0)	GREY	2

宣又實業有限公司  
GAINTA INDUSTRIES LTD.

繪圖

DRA'D BY

JACKY

日期

DATE

2013/01/15

材質

MATE.

PC/ABS(UL94-V0)

圖名TITLE:

D1MG-ASSEMBLY

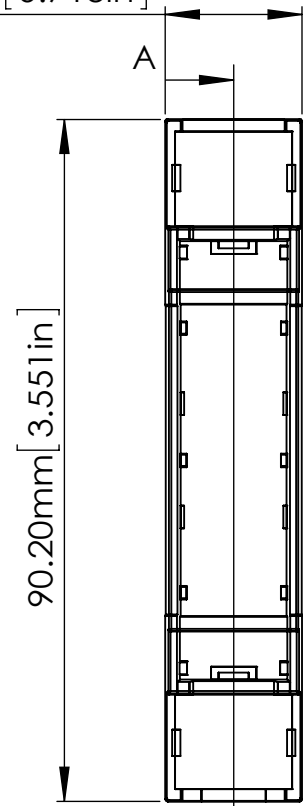
圖號DWG NO:

版次REVISID:

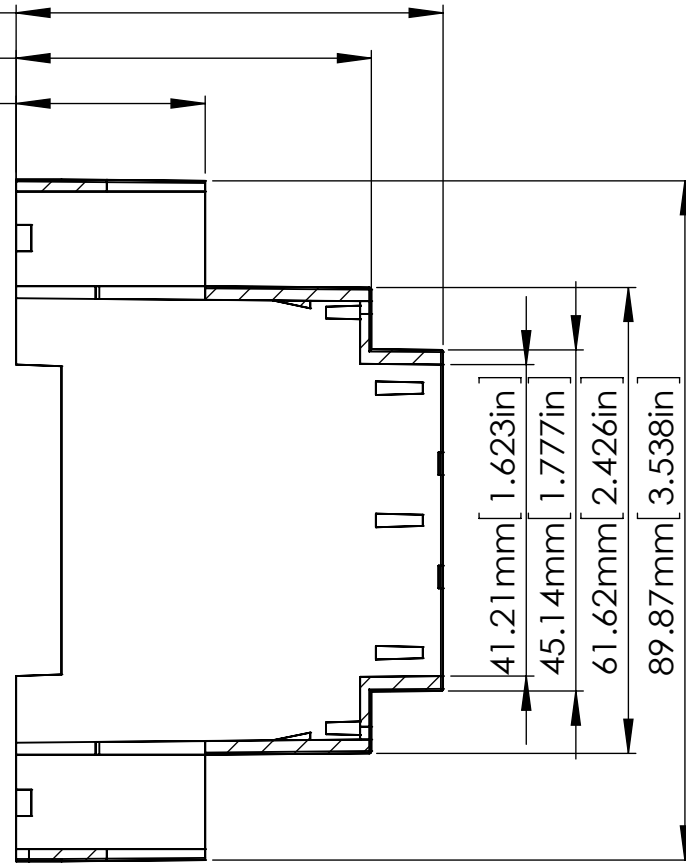
A

### D1MG-BODY

18.10mm [0.713in]



56.50mm [2.224in]  
47mm [1.850in]  
25mm [0.984in]

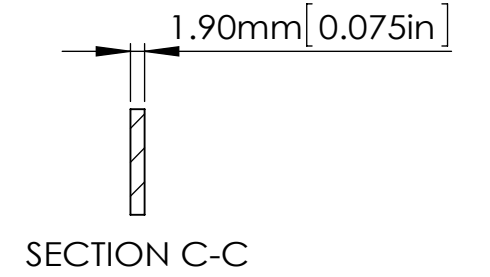
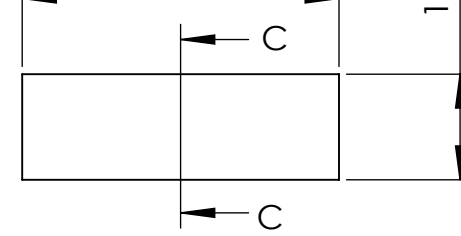


SECTION A-A

### D1MG-COVER

42mm [1.650in]

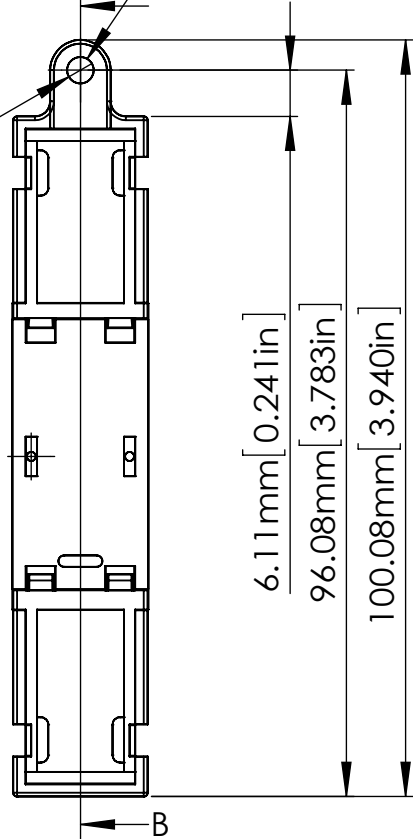
14mm [0.551in]



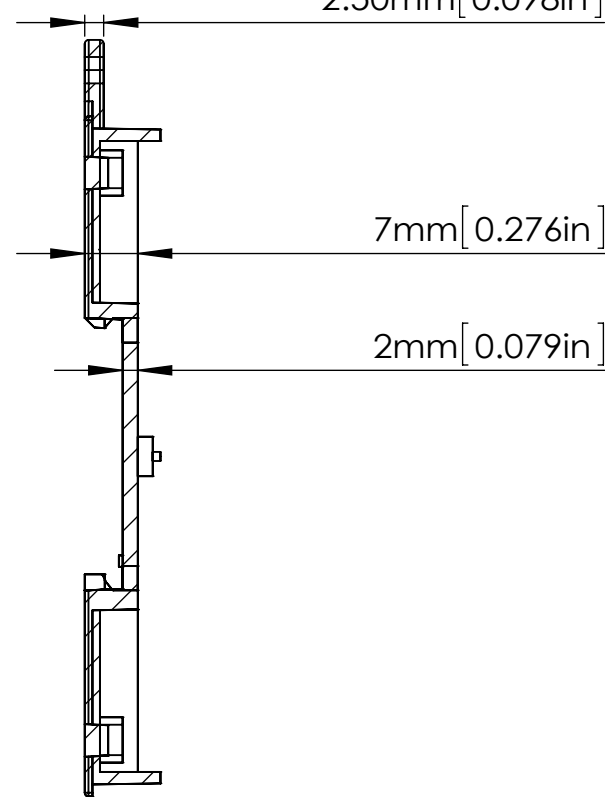
SECTION C-C

### D1MG-BASE

$\phi 3.50\text{mm}$  [0.138in]



USE M3X9.2 mm  
SELF-TAPPING SCREWS



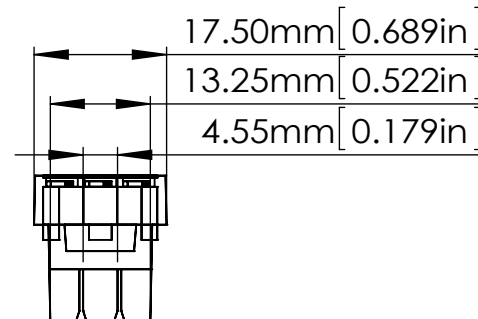
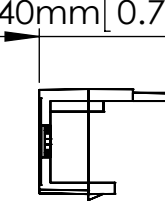
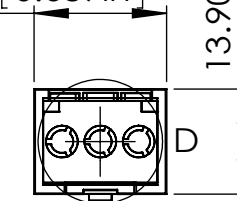
SECTION B-B

### D1MG-GUARD

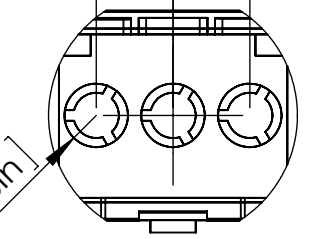
17.50mm [0.689in]

13.90mm [0.547in]

19.40mm [0.764in]



5.08mm [0.200in]  
5.08mm [0.200in]



SECTION D  
SCALE 2 : 1

宣又實業有限公司  
GAINTA INDUSTRIES LTD.

繪圖

DRA'D BY  
JACKY

日期

2013/01/15

DATE

材質

PC/ABS(UL94-V0)

MATE.

圖名TITLE:

D1MG-PART

圖號DWG NO:

版次REVISID:

A