



HESTORE.HU

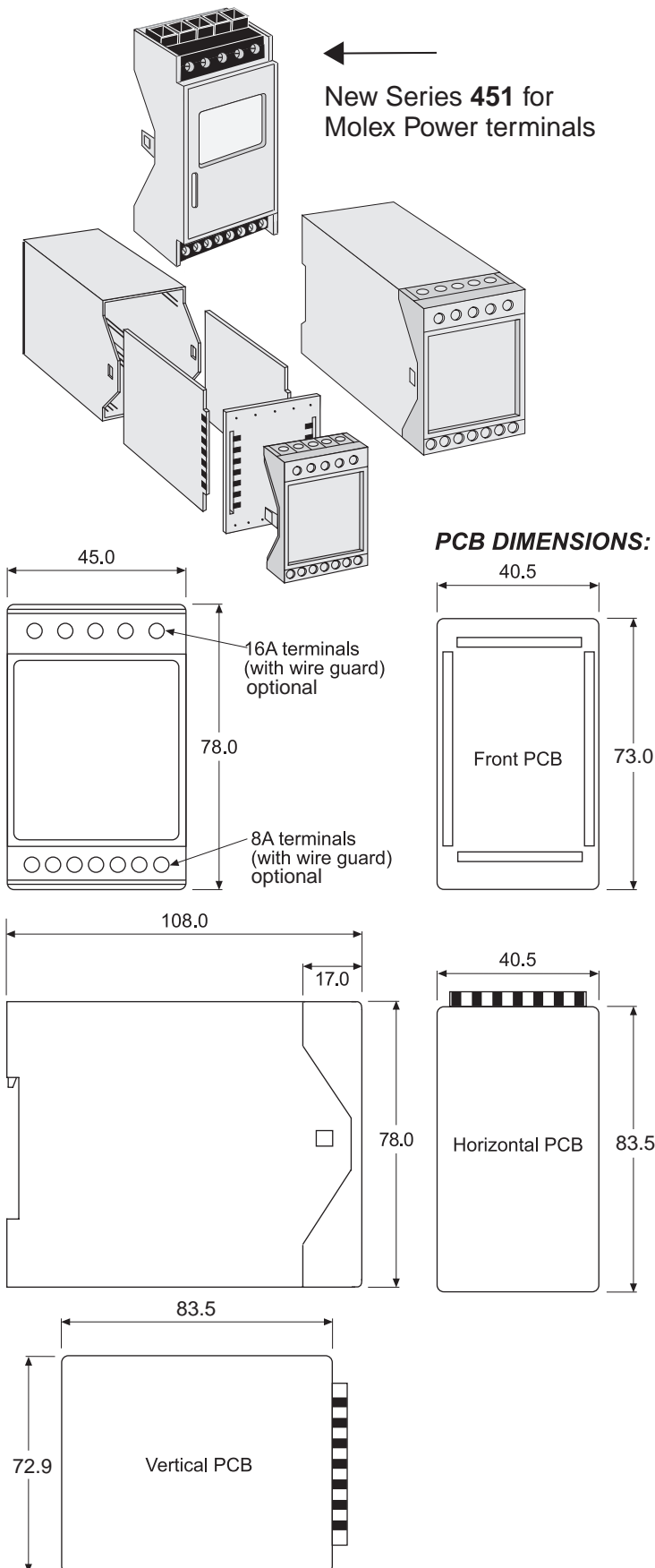
elektronikai alkatrész áruház

EN: This Datasheet is presented by the manufacturer.

Please visit our website for pricing and availability at www.hestore.hu.

ENCLOSURE FOR M36 DIN-RAIL

SERIES 450



Module enclosure for M36 DIN-rail. To be used in a closed rack or installation box. Series 450 is, if requested, available in several colours and with customer specified holes in the front and base part. PCB and packing are available. Possibility for both vertical and horizontal PCB. Many PCB arrangements are possible. Wire guards for the terminals are available on request.

TECHNICAL DATA:

TOP PART:

Material:	Lexan 940
Colour:	Grey (RAL 7035)
Max. temperature:	100°C
Max. wire dia. for big terminals, 5 pcs:	2 x 2.5mm ² or 1 x 4mm ²
Max. wire dia. for small terminals, 7 pcs:	1 x 2.5 mm ²
Max. load, big:	16A
Max. load, small:	8A
Terminals, total:	12 (5 big + 7 small)
Self-extinguishing:	Acc. to UL94-V0
Label measure:	40.5 x 54.0 mm

BASE PART:

Material:	Lexan 940
Colour:	Grey (RAL 7035)
Mounting:	DIN-rail (EN50022)
Max. temperature:	100°C
Width:	45 mm
Self-extinguishing:	Acc. to UL94-V0

TYPE 450:	ORDER CODE:
Complete	p/n 4969003450
Top part without terminals	p/n 4969000450
Top part, 5 + 7 terminals	p/n 4969001450
Base part	p/n 4969002450
DIN-rail clip	p/n 0669000605
Raw PCB for 450, horizontal 40.5 x 74.0 mm	p/n 4999000450
Raw PCB for 450, vertical, 40.5 x 80.0 mm	p/n 4999001450
Raw PCB for 450, vertical, 74.0 x 80.0 mm	p/n 4999002450
Packing w/print	p/n 2068450001
8A terminal + screw	p/n 4969450999
16A terminal + screw	p/n 4969000999

PCB only available on request