



HESTORE.HU

elektronikai alkatrész áruház

EN: This Datasheet is presented by the manufacturer.

Please visit our website for pricing and availability at www.hestore.hu.

» **Features**

- Precise design terminal type adequate for DIP IC pitch size (multiple of 2.54mm).
- Epoxy sealing treatment, free of flux entry.
- Several LED colors options.
- Several cap legends options.
- Customized cap and legend are available.



» **Applications**

- Operating switches in all types of electronic equipment such as audio apparatus, office equipment, communications apparatus, TV ets, VCRs, etc.

» **Specifications**

Rating	0.1A 30VDC
Insulation Resistance	100MΩ Min (at 500 VDC)
Dielectric Strength	AC 500V (50/60 Hz for 1 minute)
Contact Resistance	50mΩ Max. (Initial)
Electrically Life	10,000 Cycles Min
Ambient Temperature	-10°C~ +80°C
Operating Force	150 ± 100gf (Momentary)
	250 ± 100gf (Alternate)
	200 ± 100gf (Momentary With Click)

» **LED Specifications**

Color	VR	IF	Recommended Operating Current	VF	
				Nor	Max
Red	DC 5V	20mA	20mA	1.7V	2.4V
Green	DC 5V	20mA	20mA	1.9V	2.4V
Yellow	DC 5V	20mA	20mA	1.9V	2.4V
Blue	DC 5V	20mA	20mA	3.0V	3.6V
White	DC 5V	20mA	20mA	3.0V	3.6V

For the specification about the other LEDs, please contact with sales department

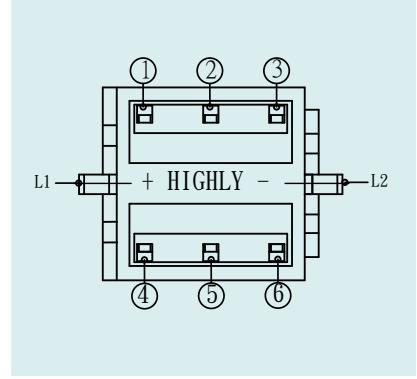
» **Product selection**

PB 613

BUTTON TYPE		FUNCTION		LED		LED BRIGHTNESS		LASER ETCHING	
1F		A	Alternate	-	Non-LED	-	Standard	01	
2F		B	Momentary	L	LED	C	High Brightness	02	
3F		C	Momentary with click					03	
4F				FRAME				04	
5F				-	Without	LED COLOR		05	
6F				F	With frame	1	Red	06	
01						2	Yellow	07	
02						3	Green	08	
03						4	Blue	09	
04						5	White	10	
05						6	Pure Green	Please inquire about the details with our sales representative.	
07						8	Amber		
						9	Blue Green		
						10	Pink		
						011	Purple		
						12	Red/Yellow		
						13	Red/Green		
						14	Red/Blue		
						23	Yellow/Green		
						48	Blue/Amber		
						52	White/Yellow		
						58	White/Amber		
						-	Non-LED		
						CAP COLOR			
						1	Misty Silver		
						2	Bright Silver		
						3	Gold		
						4	White		
						5	Bright Black		
						6	Red		
						7	Misty Black		
						8	Sky blue		
						9	Gunmetal black		
						A	Orange		

» Circuit

Type	Switch Action		
PB613A	Normal ON	Push to lock ON	
Connecting Terminal	1 - 2 4 - 5	2 - 3 5 - 6	
PB613B	Normal ON	Push (ON)	
Connecting Terminal	1 - 2 4 - 5	2 - 3 5 - 6	
LED Circuit			



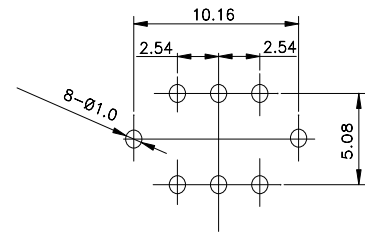
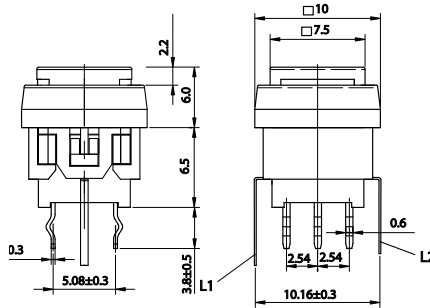
» Operating characteristics

Unit: mm

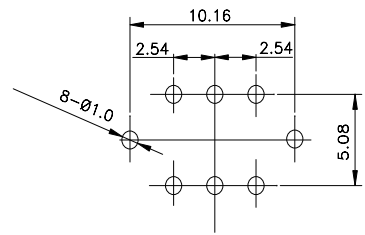
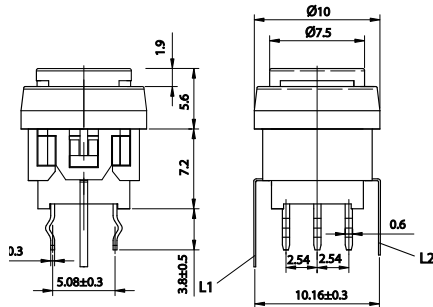
Dimensions

P.C.B Layout

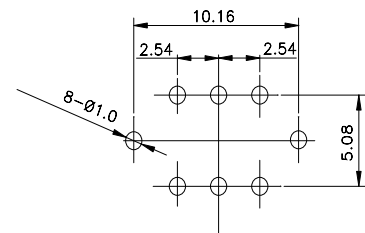
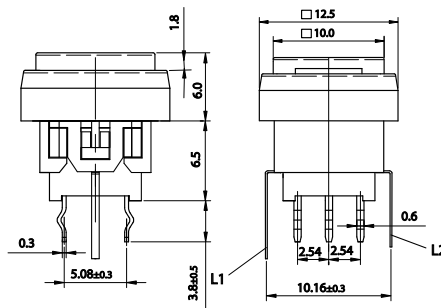
PB6131F □ L



PB6132F □ L



PB6133F □ L



PB 613 SERIES PUSH SWITCHES

ILLUMINATED

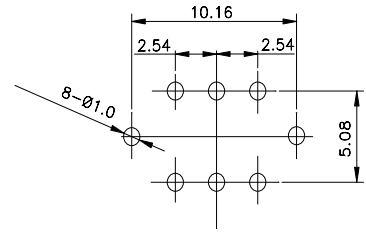
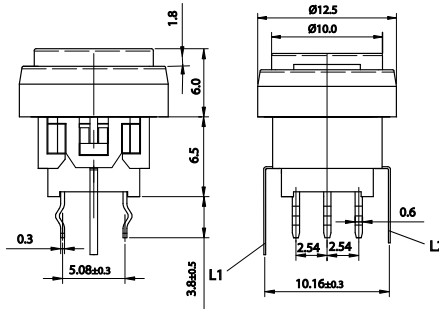
» Operating characteristics

Unit: mm

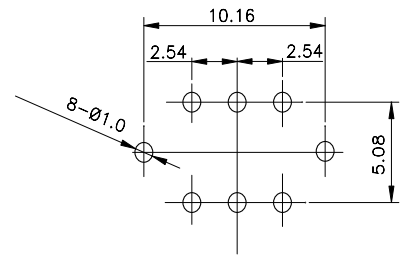
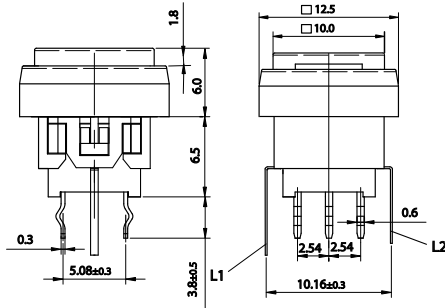
Dimensions

P.C.B Layout

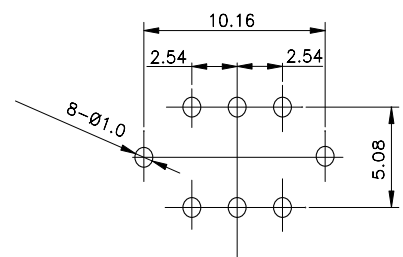
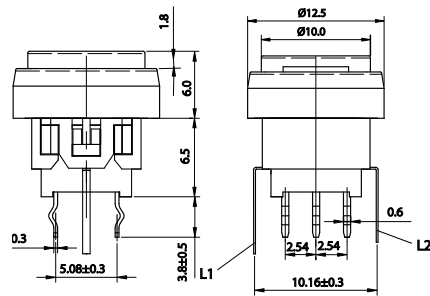
PB6134F □ L



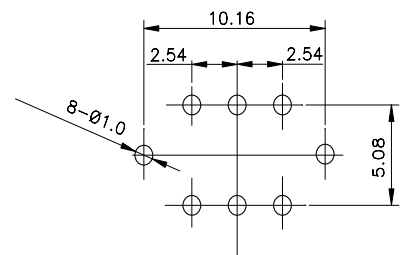
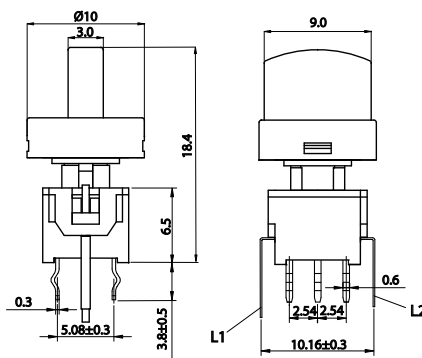
PB6135F □ L



PB6136F □ L



PB61301 □ L



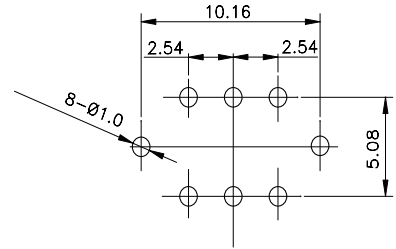
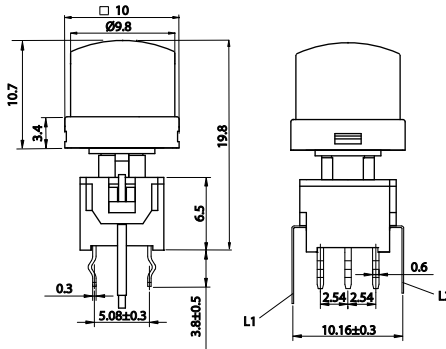
» Operating characteristics

Unit: mm

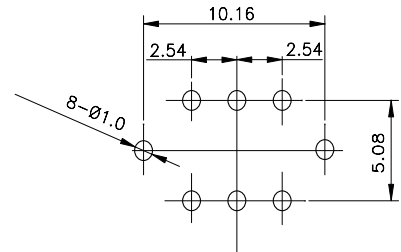
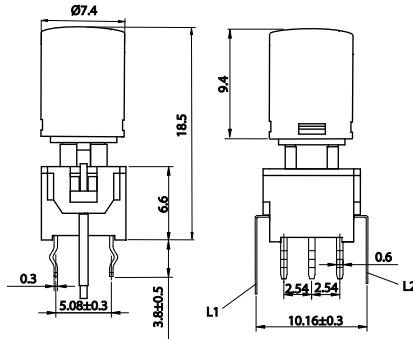
Dimensions

P.C.B Layout

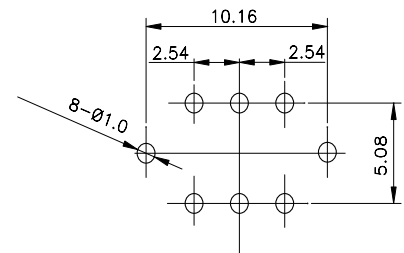
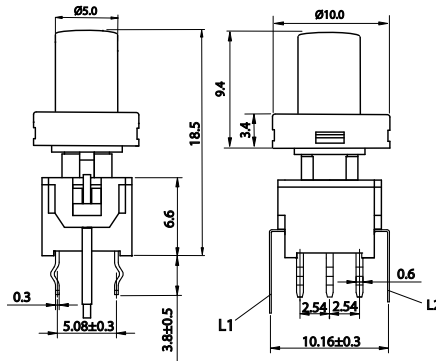
PB61302 □ L



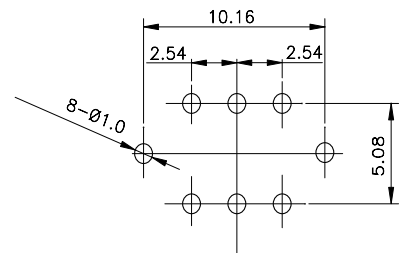
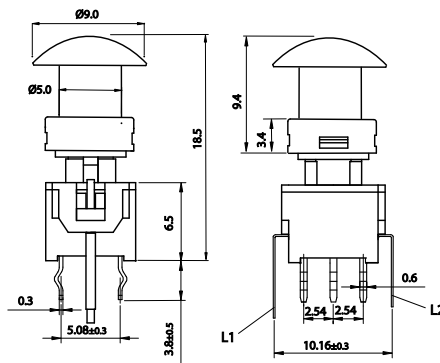
PB61303 □ L



PB61304 □ L



PB61305 □ L



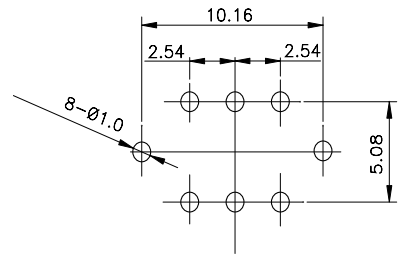
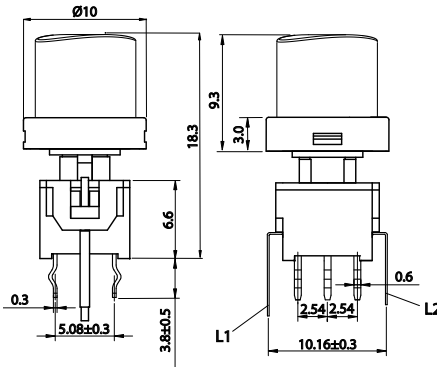
» Operating characteristics

Unit: mm

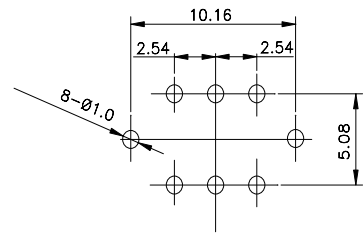
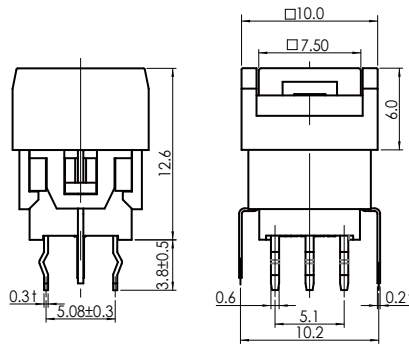
Dimensions

P.C.B Layout

PB61307 □ L



PB6131 □ F2L



» Features

- New design-double layer illuminated push switch.
- Sharp "click" feeling with positive reliability feedback.
- Epoxy sealing treatment, free of flux entry.
- Several LED colors options.
- Side-actuated with right angle terminal.
- Several cap legends options.



» Applications

- Operating switches in all types of electronic equipment such as audio apparatus, office equipment, communications apparatus, TV sets, VCRs, etc.

» Specifications

Rating	0.1A 30VDC
Insulation Resistance	100MΩ Min (at 500 VDC)
Dielectric Strength	AC 500V (50/60 Hz for 1 minute)
Contact Resistance	50mΩ Max. (Initial)
Electrically Life	10,000 Cycles Min
Ambient Temperature	-10°C~ +80°C
Operating Force	150 ± 100gf (Momentary)
	250 ± 100gf (Alternate)
	200 ± 100gf (Momentary With Click)

» LED Specifications

Color	VR	IF	Recommended Operating Current	VF	
				Nor	Max
Red	DC 5V	20mA	20mA	1.7V	2.4V
Green	DC 5V	20mA	20mA	1.9V	2.4V
Yellow	DC 5V	20mA	20mA	1.9V	2.4V
Blue	DC 5V	20mA	20mA	3.0V	3.6V
White	DC 5V	20mA	20mA	3.0V	3.6V

For the specification about the other LEDs, please contact with sales department

» Product selection

PB 6131

RFIL - [] - [] - [] - [] - [] - []

UPPER	LOWER
FUNCTIO	
A	Alternate
B	Momentary with click

UPPER	LOWER
LED COLOR	
1	Red
2	Yellow
3	Green
4	Blue
5	White
6	Pure Green
8	Amber
9	Blue Green
10	Pink
011	Purple
12	Red/Yellow
13	Red/Green
14	Red/Blue
23	Yellow/Green
48	Blue/Amber
52	White/Yellow
58	White/Amber
-	Non-LED

UPPER CAP COLOR	
1	Misty Silver
2	Bright Silver
3	Gold
4	White
5	Bright Black
6	Red
7	Misty Black
8	Sky blue
9	Gunmetal black
A	Orange

LOWER CAP COLOR	
1	Misty Silver
2	Bright Silver
3	Gold
4	White
5	Bright Black
6	Red
7	Misty Black
8	Sky blue
9	Gunmetal black
A	Orange

UPPER LASER ETCHING			
01	⏻	06	⬆
02	○	07	⬇
03	OK	08	⊙
04	⇒	09	⊙
05	⇐	10	▲

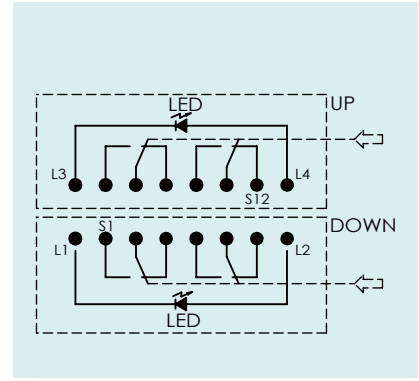
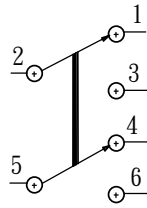
LOWER LASER ETCHING			
01	⏻	06	⬆
02	○	07	⬇
03	OK	08	⊙
04	⇒	09	⊙
05	⇐	10	▲

Please inquire about the details with our sales representative.

Please inquire about the details with our sales representative.

» **Circuit**

Type	Switch Action	
PB613A	Normal ON	Push to lock ON
Connecting Terminal	1 - 2 4 - 5	2 - 3 5 - 6
PB613B	Normal ON	Push (ON)
Connecting Terminal	1 - 2 4 - 5	2 - 3 5 - 6
LED Circuit		



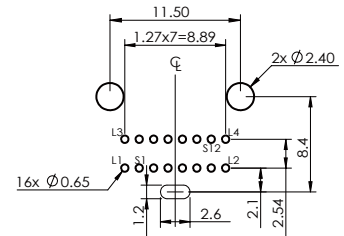
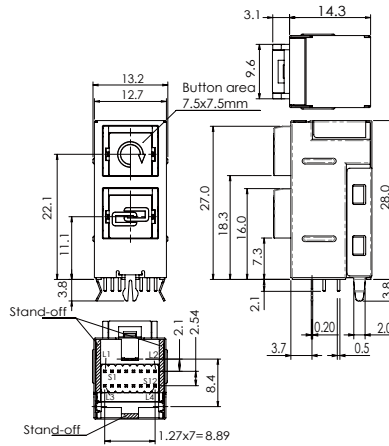
» **Operating characteristics**

Unit: mm

Dimensions

P.C.B Layout

PB6131 □ □ **RFIL-33-577-5170**



» Features

- Epoxy sealing treatment, free of flux entry.
- Several LED colors options.
- Side-actuated with right angle terminal.
- Several cap legends options.



» Applications

- Operating switches in all types of electronic equipment such as audio apparatus, office equipment, communications apparatus, TV sets, VCRs, etc.

» Specifications

Rating	0.1A 30VDC
Insulation Resistance	100MΩ Min (at 500 VDC)
Dielectric Strength	AC 500V (50/60 Hz for 1 minute)
Contact Resistance	50mΩ Max. (Initial)
Electrically Life	10,000 Cycles Min
Ambient Temperature	-10°C~ +80°C
Operating Force	150 ± 100gf (Momentary)
	250 ± 100gf (Alternate)
	200 ± 100gf (Momentary With Click)

» LED Specifications

Color	VR	IF	Recommended Operating Current	VF	
				Nor	Max
Red	DC 5V	20mA	20mA	1.7V	2.4V
Green	DC 5V	20mA	20mA	1.9V	2.4V
Yellow	DC 5V	20mA	20mA	1.9V	2.4V
Blue	DC 5V	20mA	20mA	3.0V	3.6V
White	DC 5V	20mA	20mA	3.0V	3.6V

For the specification about the other LEDs, please contact with sales department

» Product selection

PB 613

RF - - -

BUTTON TYPE	
1	
2	
3	
4	
5	
6	
01	
02	
03	
04	
05	
07	

FUNCTION	
A	Alternate
B	Momentary with click

LED	
-	Non-LED
L	LED

LED BRIGHTNESS	
_	Standard
C	High Brightness

SUPPORT PIN	
-	Without
WS	
WS2	

LASER ETCHING	
01	
02	
03	OK
04	
05	
06	
07	
08	
09	
10	

FRAME	
I	
G	
I2	
J	

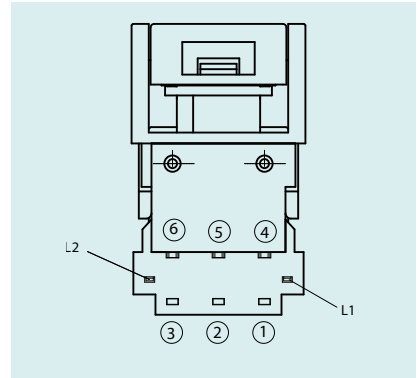
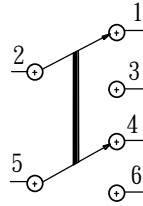
LED COLOR	
1	Red
2	Yellow
3	Green
4	Blue
5	White
6	Pure Green
8	Amber
9	Blue Green
10	Pink
011	Purple
12	Red/Yellow
13	Red/Green
14	Red/Blue
23	Yellow/Green
48	Blue/Amber
52	White/Yellow
58	White/Amber
-	Non-LED

CAP COLOR	
1	Misty Silver
2	Bright Silver
3	Gold
4	White
5	Bright Black
6	Red
7	Misty Black
8	Sky blue
9	Gunmetal black
A	Orange

Please inquire about the details with our sales representative.

» **Circuit**

Type	Switch Action	
PB613 ARF	Normal ON	Push to lock ON
Connecting Terminal	1 - 2 4 - 5	2 - 3 5 - 6
PB613 BRF	Normal ON	Push (ON)
Connecting Terminal	1 - 2 4 - 5	2 - 3 5 - 6
LED Circuit		



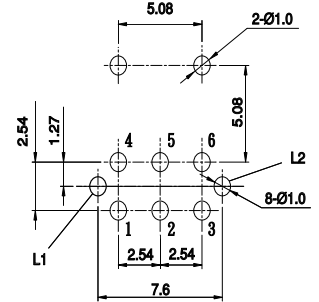
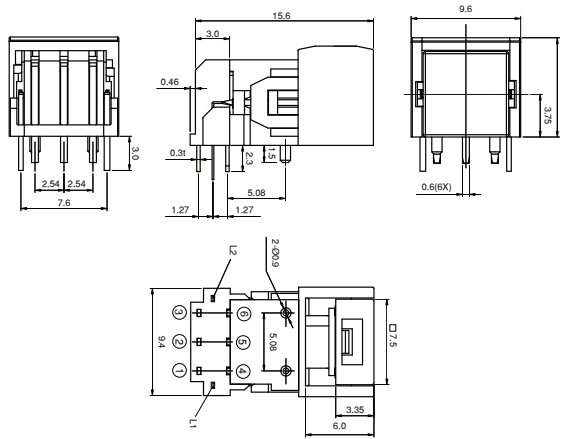
» **Operating characteristics**

Unit: mm

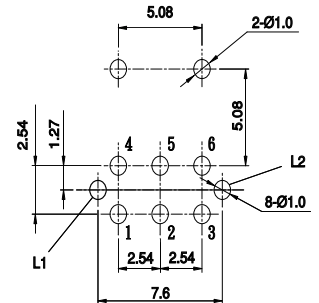
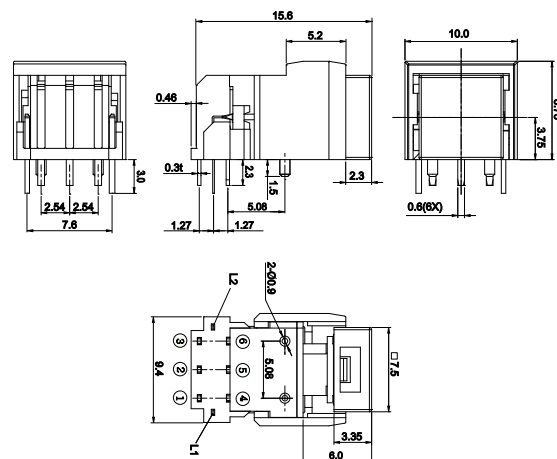
Dimensions

P.C.B Layout

PB6131 **RFIL-3-177**



PB6131 **RFGL-3-177**



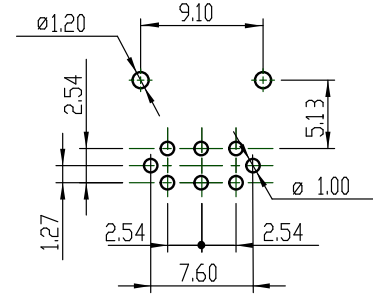
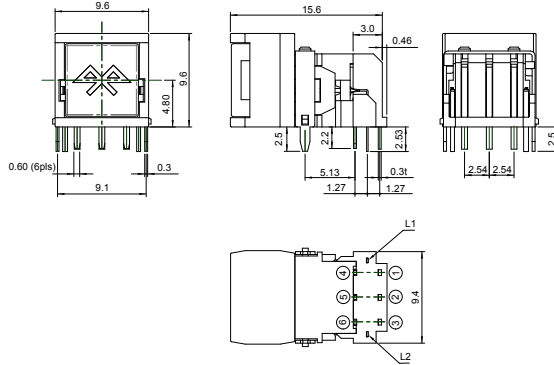
» Operating characteristics

Unit: mm

Dimensions

P.C.B Layout

PB6131 □ RFJL-4-WS-5195



PB6131 □ RFI L-4-WS2-5238

