



**HESTORE.HU**

elektronikai alkatrész áruház

**EN:** This Datasheet is presented by the manufacturer.

Please visit our website for pricing and availability at [www.hestore.hu](http://www.hestore.hu).

» **Features**

- Precise design terminal type adequate for DIP IC pitch size (multiple of 2.54mm).
- Epoxy sealing treatment, free of flux entry.
- Several LED colors options.
- Several cap legends options.
- Customized cap and legend are available.



» **Applications**

- Operating switches in all types of electronic equipment such as audio apparatus, office equipment, communications apparatus, TV ets, VCRs, etc.

» **Specifications**

Rating	0.1A 30VDC
Insulation Resistance	100MΩ Min (at 500 VDC)
Dielectric Strength	AC 500V (50/60 Hz for 1 minute)
Contact Resistance	50mΩ Max. (Initial)
Electrically Life	10,000 Cycles Min
Ambient Temperature	-10°C~ +80°C
Operating Force	150 ± 100gf (Momentary)
	250 ± 100gf (Alternate)
	200 ± 100gf (Momentary With Click)

» **LED Specifications**

Color	VR	IF	Recommended Operating Current	VF	
				Nor	Max
Red	DC 5V	20mA	20mA	1.7V	2.4V
Green	DC 5V	20mA	20mA	1.9V	2.4V
Yellow	DC 5V	20mA	20mA	1.9V	2.4V
Blue	DC 5V	20mA	20mA	3.0V	3.6V
White	DC 5V	20mA	20mA	3.0V	3.6V

For the specification about the other LEDs, please contact with sales department

» **Product selection**

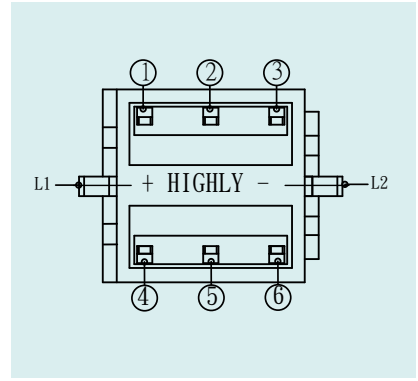
**PB 613**

<b>BUTTON TYPE</b>		<b>FUNCTION</b>		<b>LED</b>		<b>LED BRIGHTNESS</b>		<b>LASER ETCHING</b>		
1F		A	Alternate	-	Non-LED	-	Standard	01		
2F		B	Momentary	L	LED	C	High Brightness	02		
3F		C	Momentary with click					03		
4F				<b>FRAME</b>				04		
5F				-	Without	<b>LED COLOR</b>		05		
6F				F	With frame	1	Red	06		
01						2	Yellow	07		
02						3	Green	08		
03						4	Blue	09		
04						5	White	10		
05						6	Pure Green			
07						8	Amber			
						9	Blue Green			
						10	Pink			
						011	Purple			
						12	Red/Yellow			
						13	Red/Green			
						14	Red/Blue			
						23	Yellow/Green			
						48	Blue/Amber			
						52	White/Yellow			
						58	White/Amber			
						-	Non-LED			
									<b>CAP COLOR</b>	
									1	Misty Silver
									2	Bright Silver
									3	Gold
									4	White
									5	Bright Black
									6	Red
									7	Misty Black
									8	Sky blue
									9	Gunmetal black
									A	Orange

Please inquire about the details with our sales representative.

## » Circuit

Type	Switch Action		
PB613A	Normal ON	Push to lock ON	
Connecting Terminal	1 - 2 4 - 5	2 - 3 5 - 6	
PB613B	Normal ON	Push (ON)	
Connecting Terminal	1 - 2 4 - 5	2 - 3 5 - 6	
LED Circuit			



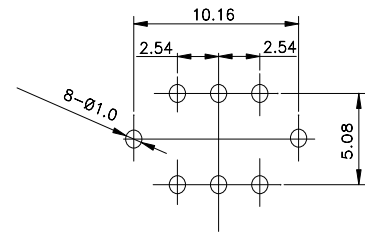
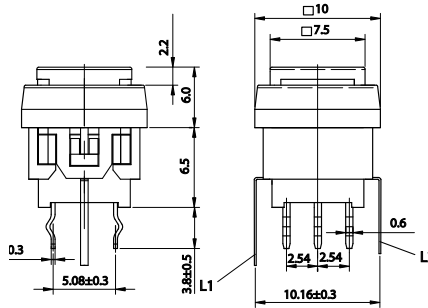
## » Operating characteristics

Unit: mm

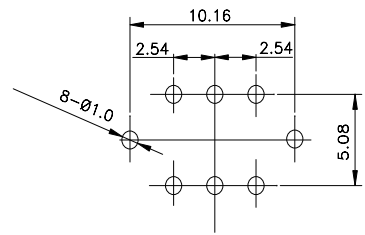
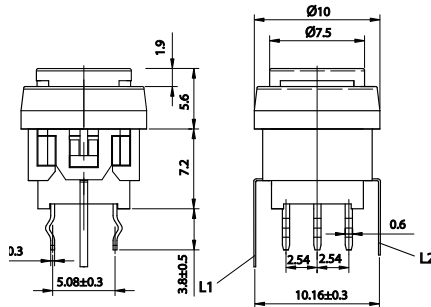
Dimensions

P.C.B Layout

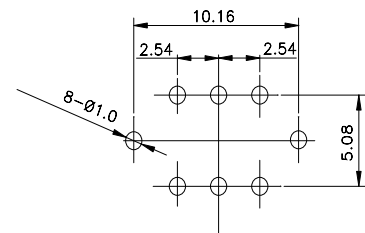
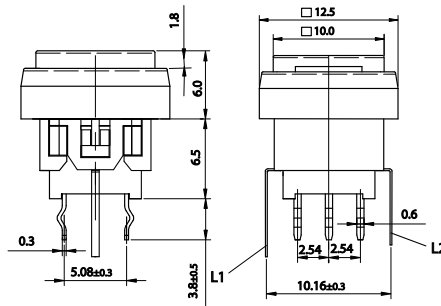
### PB6131F □ L



### PB6132F □ L



### PB6133F □ L



**PB 613 SERIES** PUSH SWITCHES

# ILLUMINATED

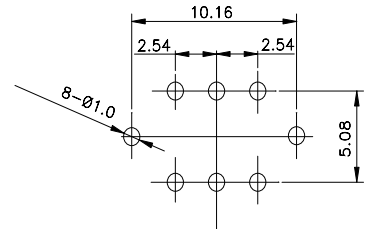
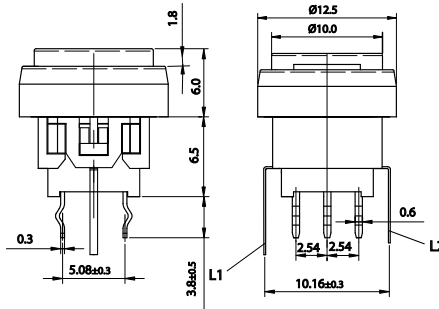
» Operating characteristics

Unit: mm

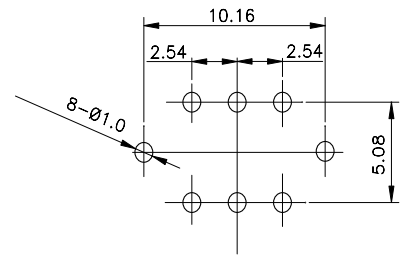
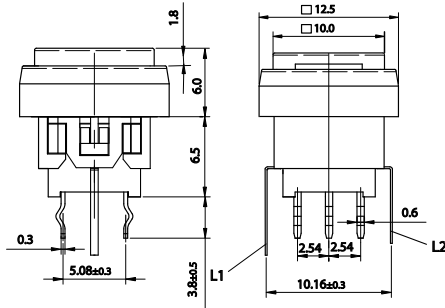
Dimensions

P.C.B Layout

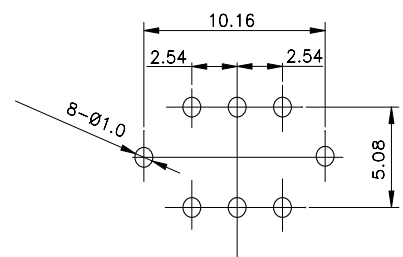
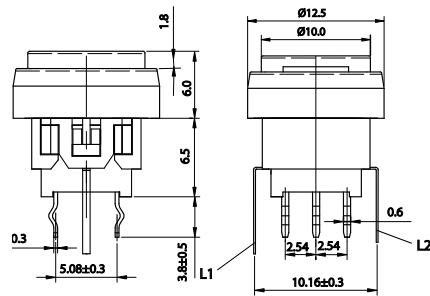
**PB6134F** □ L



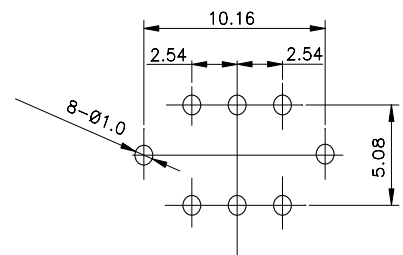
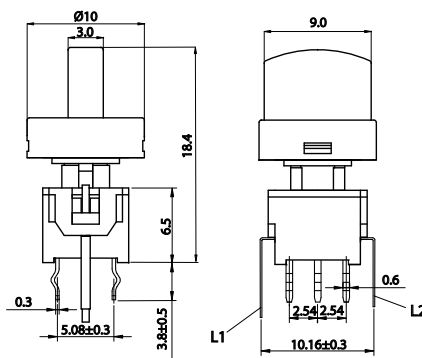
**PB6135F** □ L



**PB6136F** □ L



**PB61301** □ L



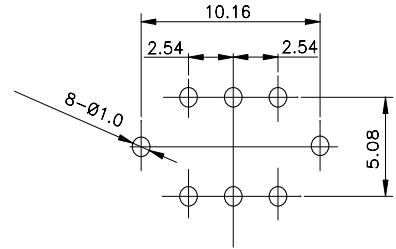
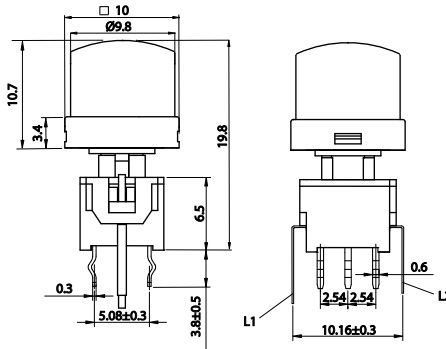
» Operating characteristics

Unit: mm

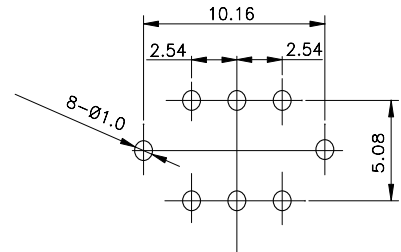
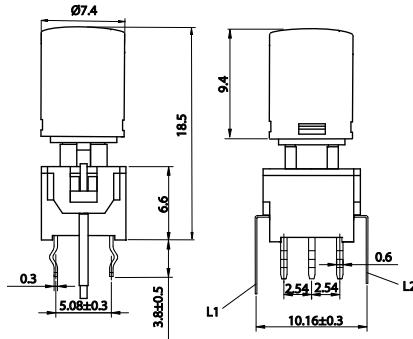
Dimensions

P.C.B Layout

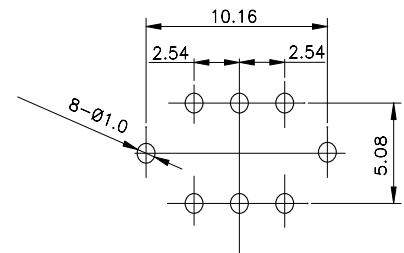
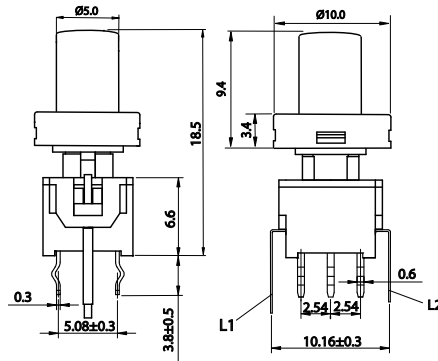
**PB61302** □ L



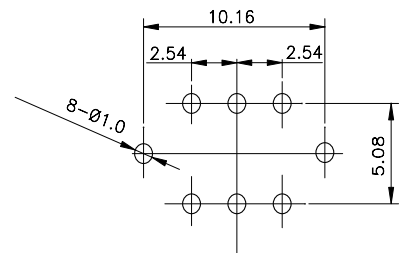
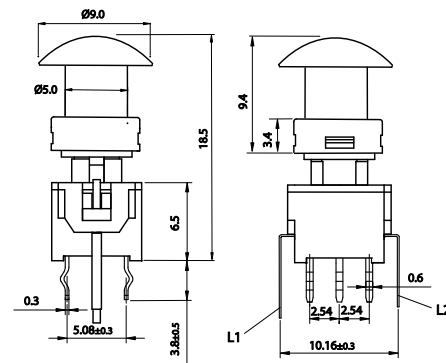
**PB61303** □ L



**PB61304** □ L



**PB61305** □ L



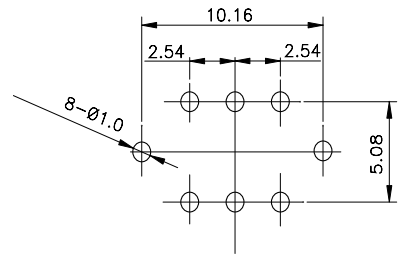
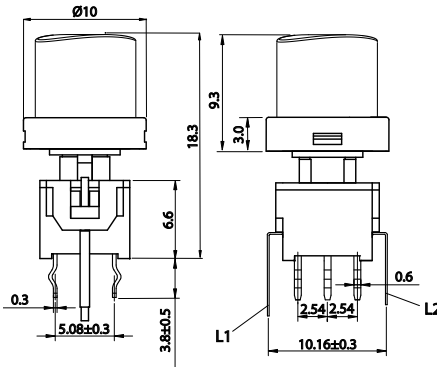
» Operating characteristics

Unit: mm

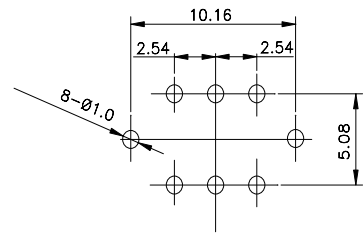
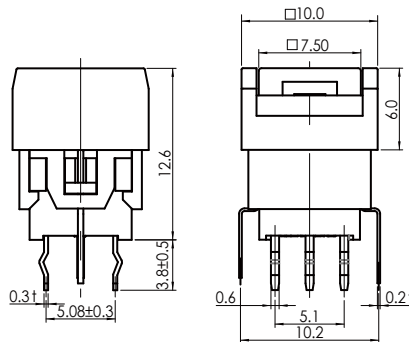
Dimensions

P.C.B Layout

**PB61307** □ L



**PB6131** □ F2L



## » Features

- New design-double layer illuminated push switch.
- Sharp "click" feeling with positive reliability feedback.
- Epoxy sealing treatment, free of flux entry.
- Several LED colors options.
- Side-actuated with right angle terminal.
- Several cap legends options.



## » Applications

- Operating switches in all types of electronic equipment such as audio apparatus, office equipment, communications apparatus, TV sets, VCRs, etc.

## » Specifications

Rating	0.1A 30VDC
Insulation Resistance	100MΩ Min (at 500 VDC)
Dielectric Strength	AC 500V (50/60 Hz for 1 minute)
Contact Resistance	50mΩ Max. (Initial)
Electrically Life	10,000 Cycles Min
Ambient Temperature	-10°C~ +80°C
Operating Force	150 ± 100gf (Momentary)
	250 ± 100gf (Alternate)
	200 ± 100gf (Momentary With Click)

## » LED Specifications

Color	VR	IF	Recommended Operating Current	VF	
				Nor	Max
Red	DC 5V	20mA	20mA	1.7V	2.4V
Green	DC 5V	20mA	20mA	1.9V	2.4V
Yellow	DC 5V	20mA	20mA	1.9V	2.4V
Blue	DC 5V	20mA	20mA	3.0V	3.6V
White	DC 5V	20mA	20mA	3.0V	3.6V

For the specification about the other LEDs, please contact with sales department

## » Product selection

### PB 6131

**RFIL** - [ ] - [ ] - [ ] - [ ] - [ ] - [ ]

UPPER	LOWER
FUNCTIO	
A	Alternate
B	Momentary with click

UPPER	LOWER
LED COLOR	
1	Red
2	Yellow
3	Green
4	Blue
5	White
6	Pure Green
8	Amber
9	Blue Green
10	Pink
011	Purple
12	Red/Yellow
13	Red/Green
14	Red/Blue
23	Yellow/Green
48	Blue/Amber
52	White/Yellow
58	White/Amber
-	Non-LED

UPPER CAP COLOR	
1	Misty Silver
2	Bright Silver
3	Gold
4	White
5	Bright Black
6	Red
7	Misty Black
8	Sky blue
9	Gunmetal black
A	Orange

LOWER CAP COLOR	
1	Misty Silver
2	Bright Silver
3	Gold
4	White
5	Bright Black
6	Red
7	Misty Black
8	Sky blue
9	Gunmetal black
A	Orange

UPPER LASER ETCHING		
01	⏻	06 ↑
02	○	07 ↓
03	OK	08 (OK)
04	⇒	09 ●
05	⇐	10 ▲

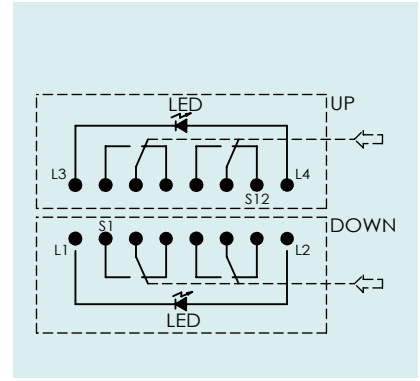
LOWER LASER ETCHING		
01	⏻	06 ↑
02	○	07 ↓
03	OK	08 (OK)
04	⇒	09 ●
05	⇐	10 ▲

Please inquire about the details with our sales representative.

Please inquire about the details with our sales representative.

» **Circuit**

Type	Switch Action		
PB613A	Normal ON	Push to lock ON	
Connecting Terminal	1 - 2 4 - 5	2 - 3 5 - 6	
PB613B	Normal ON	Push (ON)	
Connecting Terminal	1 - 2 4 - 5	2 - 3 5 - 6	
LED Circuit			



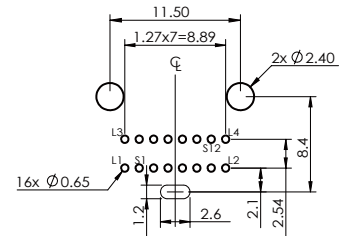
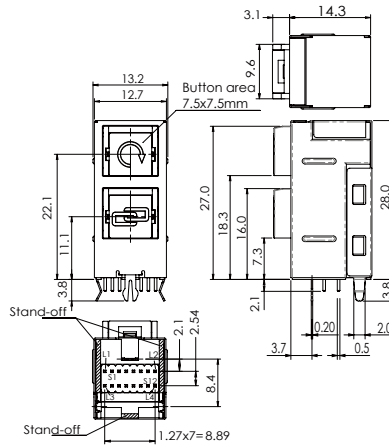
» **Operating characteristics**

Unit: mm

**Dimensions**

**P.C.B Layout**

**PB6131** □ □ **RFIL-33-577-5170**





### » Features

- Epoxy sealing treatment, free of flux entry.
- Several LED colors options.
- Side-actuated with right angle terminal.
- Several cap legends options.



### » Applications

- Operating switches in all types of electronic equipment such as audio apparatus, office equipment, communications apparatus, TV sets, VCRs, etc.

### » Specifications

Rating	0.1A 30VDC
Insulation Resistance	100MΩ Min (at 500 VDC)
Dielectric Strength	AC 500V (50/60 Hz for 1 minute)
Contact Resistance	50mΩ Max. (Initial)
Electrically Life	10,000 Cycles Min
Ambient Temperature	-10°C~ +80°C
Operating Force	150 ± 100gf (Momentary)
	250 ± 100gf (Alternate)
	200 ± 100gf (Momentary With Click)

### » LED Specifications

Color	VR	IF	Recommended Operating Current	VF	
				Nor	Max
Red	DC 5V	20mA	20mA	1.7V	2.4V
Green	DC 5V	20mA	20mA	1.9V	2.4V
Yellow	DC 5V	20mA	20mA	1.9V	2.4V
Blue	DC 5V	20mA	20mA	3.0V	3.6V
White	DC 5V	20mA	20mA	3.0V	3.6V

For the specification about the other LEDs, please contact with sales department

### » Product selection

#### PB 613

RF


-


-

-

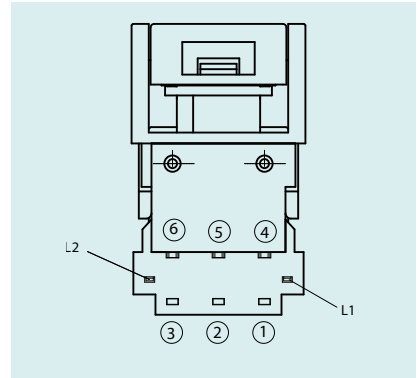
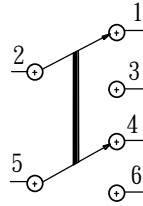
-

BUTTON TYPE	FUNCTION	LED	LED BRIGHTNESS	SUPPORT PIN	LASER ETCHING																																																																																		
<table border="1" style="width: 100%; border-collapse: collapse;"> <tr><td>1</td><td></td></tr> <tr><td>2</td><td></td></tr> <tr><td>3</td><td></td></tr> <tr><td>4</td><td></td></tr> <tr><td>5</td><td></td></tr> <tr><td>6</td><td></td></tr> <tr><td>01</td><td></td></tr> <tr><td>02</td><td></td></tr> <tr><td>03</td><td></td></tr> <tr><td>04</td><td></td></tr> <tr><td>05</td><td></td></tr> <tr><td>07</td><td></td></tr> </table>	1		2		3		4		5		6		01		02		03		04		05		07		<table border="1" style="width: 100%; border-collapse: collapse;"> <tr><td>A</td><td>Alternate</td></tr> <tr><td>B</td><td>Momentary with click</td></tr> </table>	A	Alternate	B	Momentary with click	<table border="1" style="width: 100%; border-collapse: collapse;"> <tr><td>-</td><td>Non-LED</td></tr> <tr><td>L</td><td>LED</td></tr> </table>	-	Non-LED	L	LED	<table border="1" style="width: 100%; border-collapse: collapse;"> <tr><td>_</td><td>Standard</td></tr> <tr><td>C</td><td>High Brightness</td></tr> </table>	_	Standard	C	High Brightness	<table border="1" style="width: 100%; border-collapse: collapse;"> <tr><td>-</td><td>Without</td></tr> <tr><td>WS</td><td></td></tr> <tr><td>WS2</td><td></td></tr> </table>	-	Without	WS		WS2		<table border="1" style="width: 100%; border-collapse: collapse;"> <tr><td>01</td><td></td></tr> <tr><td>02</td><td></td></tr> <tr><td>03</td><td>OK</td></tr> <tr><td>04</td><td></td></tr> <tr><td>05</td><td></td></tr> <tr><td>06</td><td></td></tr> <tr><td>07</td><td></td></tr> <tr><td>08</td><td></td></tr> <tr><td>09</td><td></td></tr> <tr><td>10</td><td></td></tr> </table>	01		02		03	OK	04		05		06		07		08		09		10																					
1																																																																																							
2																																																																																							
3																																																																																							
4																																																																																							
5																																																																																							
6																																																																																							
01																																																																																							
02																																																																																							
03																																																																																							
04																																																																																							
05																																																																																							
07																																																																																							
A	Alternate																																																																																						
B	Momentary with click																																																																																						
-	Non-LED																																																																																						
L	LED																																																																																						
_	Standard																																																																																						
C	High Brightness																																																																																						
-	Without																																																																																						
WS																																																																																							
WS2																																																																																							
01																																																																																							
02																																																																																							
03	OK																																																																																						
04																																																																																							
05																																																																																							
06																																																																																							
07																																																																																							
08																																																																																							
09																																																																																							
10																																																																																							
		FRAME	LED COLOR	CAP COLOR																																																																																			
		<table border="1" style="width: 100%; border-collapse: collapse;"> <tr><td>I</td><td></td></tr> <tr><td>G</td><td></td></tr> <tr><td>I2</td><td></td></tr> <tr><td>J</td><td></td></tr> </table>	I		G		I2		J		<table border="1" style="width: 100%; border-collapse: collapse;"> <tr><td>1</td><td></td><td>Red</td></tr> <tr><td>2</td><td></td><td>Yellow</td></tr> <tr><td>3</td><td></td><td>Green</td></tr> <tr><td>4</td><td></td><td>Blue</td></tr> <tr><td>5</td><td></td><td>White</td></tr> <tr><td>6</td><td></td><td>Pure Green</td></tr> <tr><td>8</td><td></td><td>Amber</td></tr> <tr><td>9</td><td></td><td>Blue Green</td></tr> <tr><td>10</td><td></td><td>Pink</td></tr> <tr><td>011</td><td></td><td>Purple</td></tr> <tr><td>12</td><td></td><td>Red/Yellow</td></tr> <tr><td>13</td><td></td><td>Red/Green</td></tr> <tr><td>14</td><td></td><td>Red/Blue</td></tr> <tr><td>23</td><td></td><td>Yellow/Green</td></tr> <tr><td>48</td><td></td><td>Blue/Amber</td></tr> <tr><td>52</td><td></td><td>White/Yellow</td></tr> <tr><td>58</td><td></td><td>White/Amber</td></tr> <tr><td>-</td><td></td><td>Non-LED</td></tr> </table>	1		Red	2		Yellow	3		Green	4		Blue	5		White	6		Pure Green	8		Amber	9		Blue Green	10		Pink	011		Purple	12		Red/Yellow	13		Red/Green	14		Red/Blue	23		Yellow/Green	48		Blue/Amber	52		White/Yellow	58		White/Amber	-		Non-LED	<table border="1" style="width: 100%; border-collapse: collapse;"> <tr><td>1</td><td>Misty Silver</td></tr> <tr><td>2</td><td>Bright Silver</td></tr> <tr><td>3</td><td>Gold</td></tr> <tr><td>4</td><td>White</td></tr> <tr><td>5</td><td>Bright Black</td></tr> <tr><td>6</td><td>Red</td></tr> <tr><td>7</td><td>Misty Black</td></tr> <tr><td>8</td><td>Sky blue</td></tr> <tr><td>9</td><td>Gunmetal black</td></tr> <tr><td>A</td><td>Orange</td></tr> </table>		1	Misty Silver	2	Bright Silver	3	Gold	4	White	5	Bright Black	6	Red	7	Misty Black	8	Sky blue	9	Gunmetal black	A	Orange
I																																																																																							
G																																																																																							
I2																																																																																							
J																																																																																							
1		Red																																																																																					
2		Yellow																																																																																					
3		Green																																																																																					
4		Blue																																																																																					
5		White																																																																																					
6		Pure Green																																																																																					
8		Amber																																																																																					
9		Blue Green																																																																																					
10		Pink																																																																																					
011		Purple																																																																																					
12		Red/Yellow																																																																																					
13		Red/Green																																																																																					
14		Red/Blue																																																																																					
23		Yellow/Green																																																																																					
48		Blue/Amber																																																																																					
52		White/Yellow																																																																																					
58		White/Amber																																																																																					
-		Non-LED																																																																																					
1	Misty Silver																																																																																						
2	Bright Silver																																																																																						
3	Gold																																																																																						
4	White																																																																																						
5	Bright Black																																																																																						
6	Red																																																																																						
7	Misty Black																																																																																						
8	Sky blue																																																																																						
9	Gunmetal black																																																																																						
A	Orange																																																																																						

Please inquire about the details with our sales representative.

» **Circuit**

Type	Switch Action	
PB613 ARF	Normal ON	Push to lock ON
Connecting Terminal	1 - 2 4 - 5	2 - 3 5 - 6
PB613 BRF	Normal ON	Push (ON)
Connecting Terminal	1 - 2 4 - 5	2 - 3 5 - 6
LED Circuit		



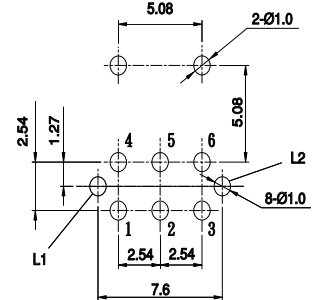
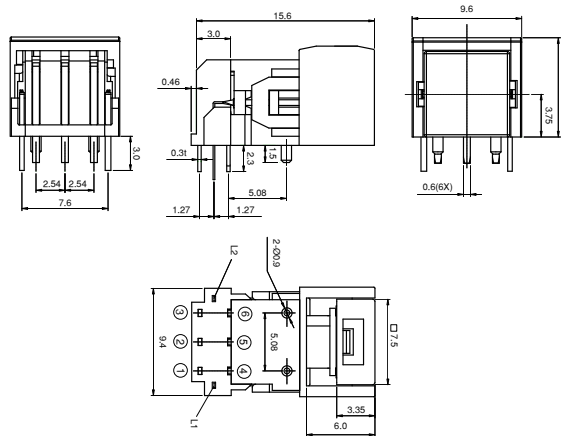
» **Operating characteristics**

Unit: mm

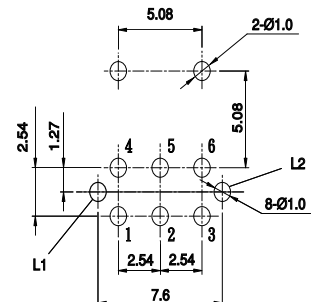
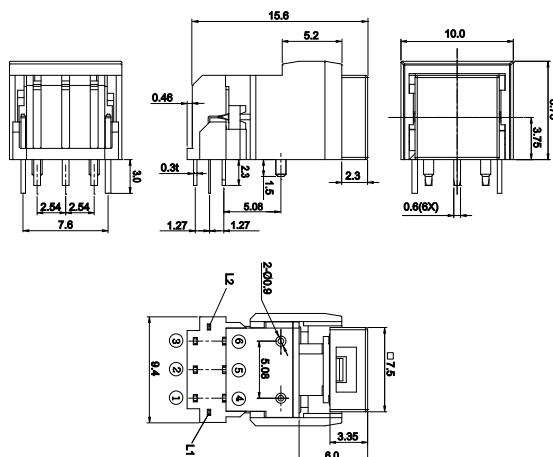
Dimensions

P.C.B Layout

**PB6131**  **RFIL-3-177**



**PB6131**  **RFGL-3-177**



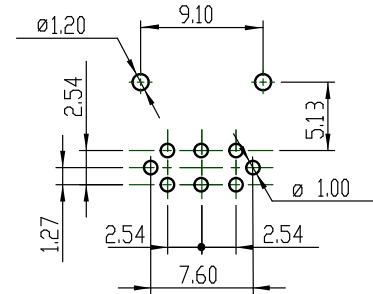
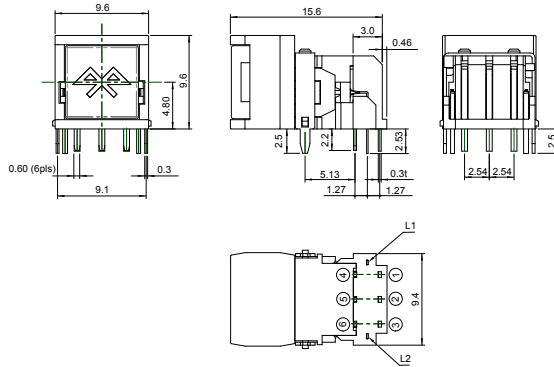
» Operating characteristics

Unit: mm

Dimensions

P.C.B Layout

**PB6131** □ RFJL-4-WS-5195



**PB6131** □ RFI L-4-WS2-5238

