



HESTORE.HU

elektronikai alkatrész áruház

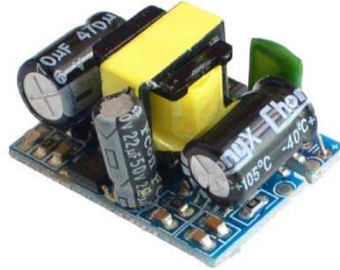
EN: This Datasheet is presented by the manufacturer.

Please visit our website for pricing and availability at www.hestore.hu.

ACDCM-5V-700

Switching step-down power supply 230V AC

HESTORE Part no.: 1003.7177



Technical specifications

Input voltage:	85~ 265V AC 50/60Hz or 100V-370V DC
Output voltage:	5V DC \pm 0.2V
Output current:	700mA
Power:	3.5W
Size:	30 x 21.5 x 16.2mm

Description

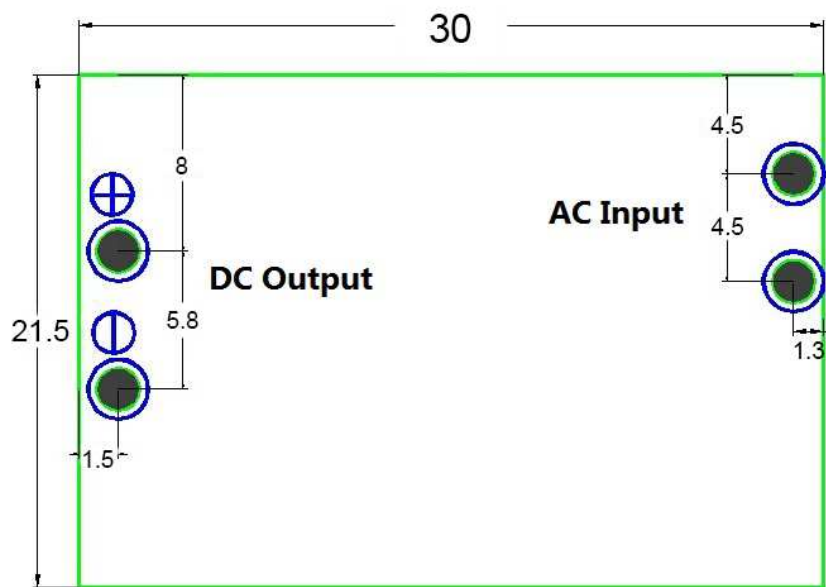
The ACDCM-5V-700 is an isolated-type industrial level power module that can be used in AC-DC power converting. When the situations of over voltage, over current and short circuit appear, this module will help to protect whole device by locking up. Isolated AC 85~ 265V input and DC 5V output.

Electronic Characteristics

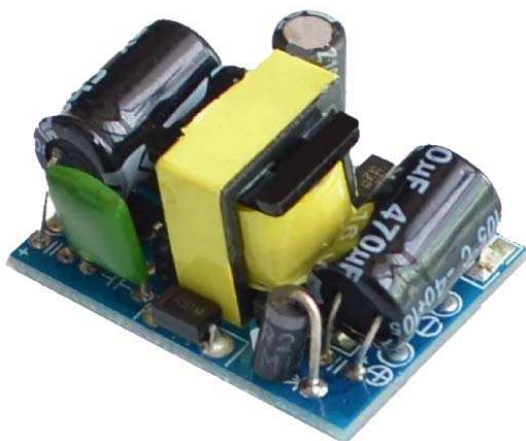
	Min.	Typical	Max.	Unit
AC Input Voltage	85	110/220	265	V
DC Input Voltage	100	150/300	370	V
Input Current (110V AC)		27.3		mA
Input Current (220V AC)		14		mA
Inrush Current		20		A
Output Voltage	4.8	5	5.2	V
Output Current	0	700	800 (Peak)	
Working Temperature	-20		60	°C
Relative Humidity (without cooling)	40		90	%RH

Protection

Over Voltage	Lock and recover after restarting
Over Power	Lock and recover after restarting
Short Circuit	Auto-recover after troubleshooting
Temperature	Lock and recover after restarting
Over Current	Lock and recover after restarting



Unit: mm



Made in PRC, distributed by HESTORE Hungary Ltd. in EU.

<https://www.hestore.hu/>