



HESTORE.HU

elektronikai alkatrész áruház

EN: This Datasheet is presented by the manufacturer.

Please visit our website for pricing and availability at www.hestore.hu.

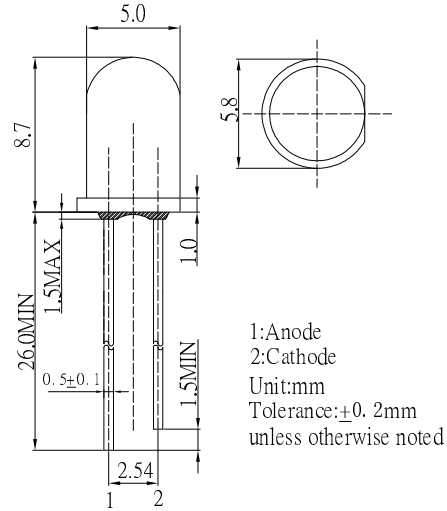
■Features

- High Luminous LEDs
- 5mm Round Standard Directivity
- Superior Weather-resistance
- UV Resistant Epoxy
- Water Clear Type

■Applications

- Counterfeit Detection
- NDT Crack Detection
- Fluid Leak Detection
- Forensic Science/Infection Control
- Other Lighting

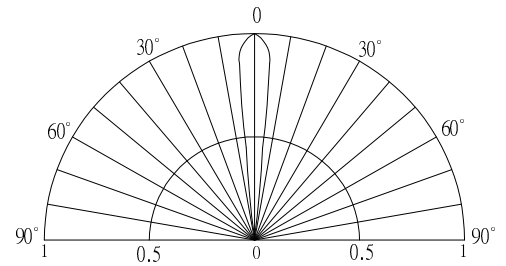
■Outline Dimension



■Absolute Maximum Rating (Ta=25°C)

Item	Symbol	Value	Unit
DC Forward Current	I _F	30	mA
Pulse Forward Current*	I _{FP}	100	mA
Reverse Voltage	V _R	5	V
Power Dissipation	P _D	114	mW
Operating Temperature	T _{opr}	-30 ~ +85	°C
Storage Temperature	T _{stg}	-40 ~ +100	°C
Lead Soldering Temperature	T _{sol}	260°C/5sec	-

■Directivity



*Pulse width Max.10ms Duty ratio max 1/10

■Electrical -Optical Characteristics (Ta=25°C)

Part Number	Color		V _F (V)			I _R (μA)	Radiant flux*(Mw)			WP*(nm)			2θ1/2(deg)
			Min.	Typ.	Max.	Max.	Min.	Typ.	Max.	Min.	Typ.	Max.	Typ.
			I _F =20mA			V _R =5V	I _F =20mA						
OSV1YL5111A	UV	V	3.0	3.4	3.8	10	2	4	-	360	365	370	15
OSV2YL5111A	UV	V	3.0	3.4	3.8	10	2.5	4.5	-	370	375	380	15
OSV3SL5111A	UV	V	3.0	3.4	3.8	10	8	10	-	380	385	390	15
OSV4DL5111A	UV	V	3.0	3.4	3.8	10	12	14	-	390	395	400	15
OSV5DL5111A	UV	V	3.0	3.4	3.8	10	12	14	-	400	405	410	15

*1 Tolerance of measurements of Peak wavelength is ±1nm
 *2 Tolerance of measurements of Radiant flux is ±15%
 *3 Tolerance of measurements of forward voltage is ±0.1V

LED & Application Technologies	 ISO 9001: 2008	 IAF	 RoHS Compliant	 REACH The new EU chemicals legislation	 ATTENTION OBSERVE PRECAUTIONS ELECTROSTATIC SENSITIVE DEVICES
---	--	---	--	---	--