



**HESTORE.HU**

elektronikai alkatrész áruház

**EN:** This Datasheet is presented by the manufacturer.

Please visit our website for pricing and availability at [www.hestore.hu](http://www.hestore.hu).

## FEATURES AND SPECIFICATIONS

### Features and Benefits

- Sizes 2 to 15 circuits
- 0.70mm (.027") round pins
- Polarized
- Friction lock

### Reference Information

Packaging: Bag  
 UL File No.: E29179  
 CSA File No.: LR19980  
 Mates With: [5264-N](#) and [42219](#)  
 Designed In: Millimeters

### Electrical

Voltage: 250V  
 Current:

AWG	22	24	26	28
Amperes	3.0	2.5	2.0	1.5

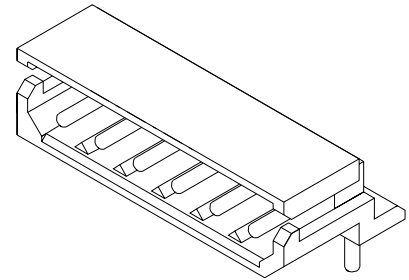
Contact Resistance: 20mΩ max.  
 Dielectric Withstanding Voltage: 1000V AC/1 min.  
 Insulation Resistance: 1000 MΩ min.

### Physical

Housing: 6/6 nylon, UL 94V-0  
 Contact: Brass  
 Plating: Tin  
 Operating Temperature: -40 to +105°C

# molex® 2.50mm (.098") Pitch SPOX™ Wire-to-Board Header

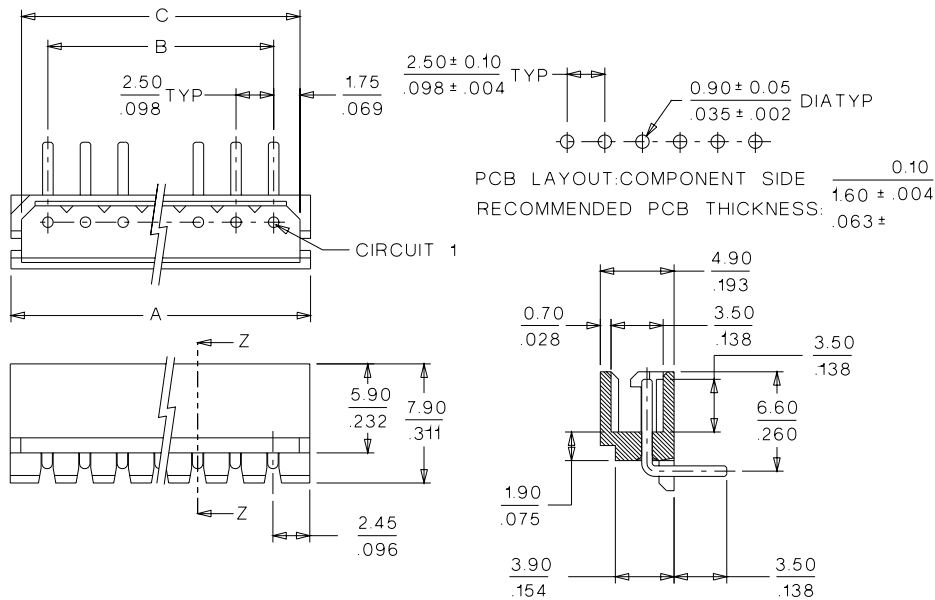
## 5268-NA Right Angle Fully Shrouded



**B**

2.00 to 2.50mm (.079 to .098") Pitch

## CATALOG DRAWING (FOR REFERENCE ONLY)



## ORDERING INFORMATION AND DIMENSIONS

Circuits	Order No.	Dimension		
		A	B	C
2	22-05-7025	7.40 (.291)	2.50 (.098)	6.00 (.236)
3	22-05-7035	9.90 (.390)	5.00 (.197)	8.50 (.335)
4	22-05-7045	12.40 (.488)	7.50 (.295)	11.00 (.433)
5	22-05-7055	14.90 (.587)	10.00 (.394)	13.50 (.531)
6	22-05-7065	17.40 (.685)	12.50 (.492)	16.00 (.630)
7	22-05-7075	19.90 (.783)	15.00 (.591)	18.50 (.728)
8	22-05-7085	22.40 (.882)	17.50 (.689)	21.00 (.827)
9	22-05-7095	24.90 (.980)	20.00 (.787)	23.50 (.925)
10	22-05-7105	27.40 (1.079)	22.50 (.886)	26.00 (1.024)
11	22-05-7115	29.90 (1.117)	25.00 (.984)	28.50 (1.122)
12	22-05-7125	32.40 (1.276)	27.50 (1.083)	31.00 (1.220)
13	22-05-7135	34.90 (1.374)	30.00 (1.181)	33.50 (1.319)
14	22-05-7145	37.40 (1.472)	32.50 (1.280)	36.00 (1.417)
15	22-05-7155	39.90 (1.571)	35.00 (1.378)	38.50 (1.516)