

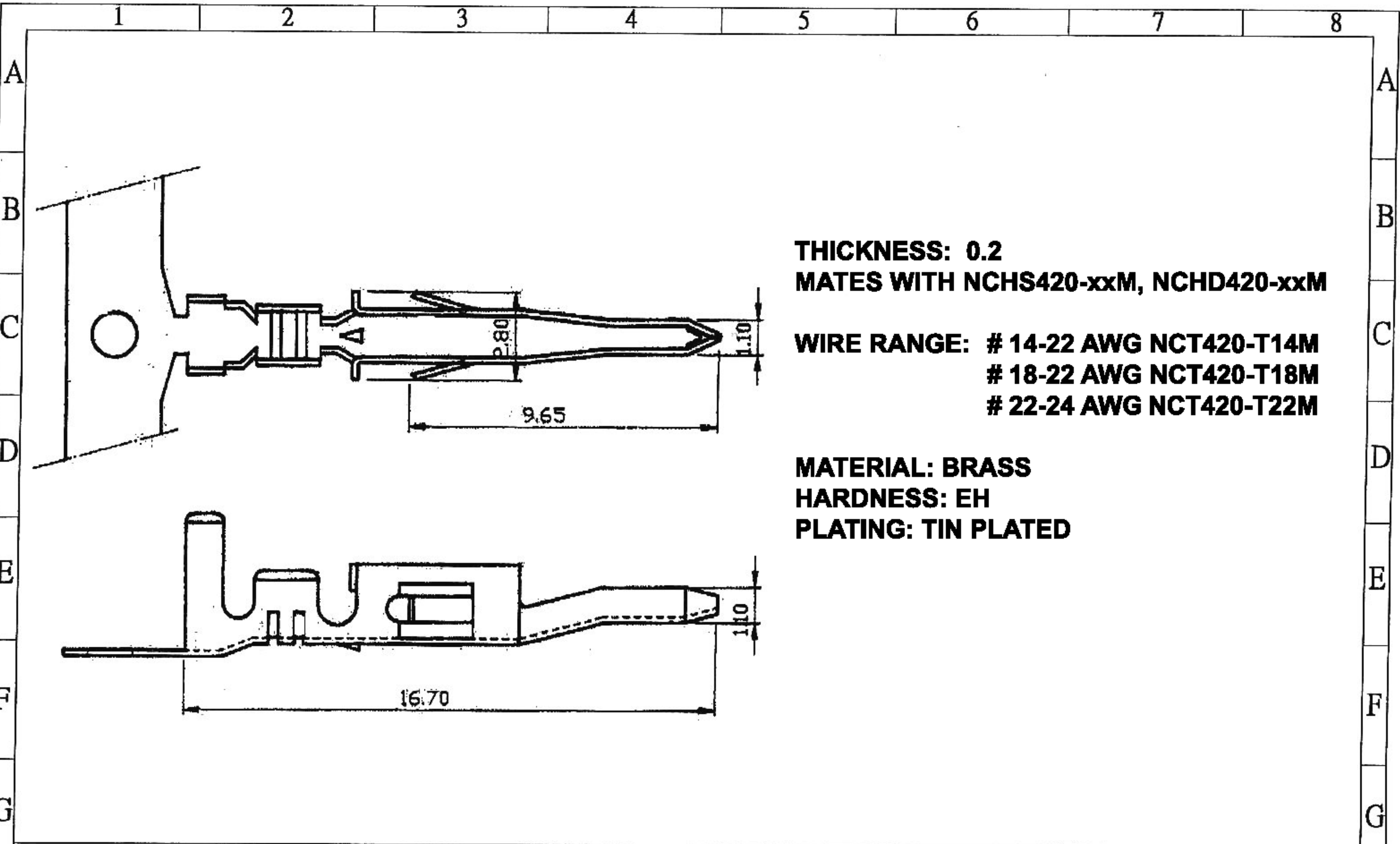


HESTORE.HU

elektronikai alkatrész áruház

EN: This Datasheet is presented by the manufacturer.

Please visit our website for pricing and availability at www.hestore.hu.



THICKNESS: 0.2
MATES WITH NCHS420-xxM, NCHD420-xxM

WIRE RANGE: # 14-22 AWG NCT420-T14M
18-22 AWG NCT420-T18M
22-24 AWG NCT420-T22M

MATERIAL: BRASS
HARDNESS: EH
PLATING: TIN PLATED

<i>Gold Star Connectors Co., Ltd.</i>			UNIT		SCALE	PART NAME	
			MM,		2 : 1	MINI FIT 4.2mm MALE TERMINAL	
DATE:2000/05/14	DWG.	APPROVED	APPD.	CKD.	TOLERANCE	PART NO.	REV.
	TINA	SHELLEY			± 0.5	NCT420-TxxM	A