



**HESTORE.HU**

elektronikai alkatrész áruház

**EN:** This Datasheet is presented by the manufacturer.

Please visit our website for pricing and availability at [www.hestore.hu](http://www.hestore.hu).

## Radio Transmitter module with crystal oscillator 433.92MHz - ASK/OOK Modulation

RCTX-434 is a transmitter module with crystal oscillator, allow to realize a complete Remote Keyless adding a coding circuit.

ASK/OOK Modulation. Metallic shield.  
3 Volt version. 5 Volt version.



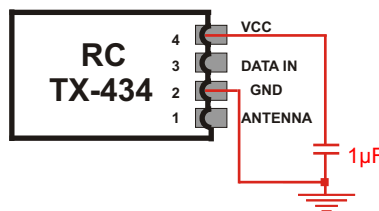
On request is possible to customize the frequency.

### Technical Characteristics

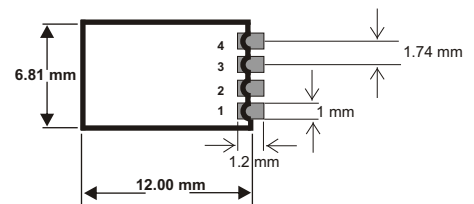
| Characteristics                                   | MIN | TYP    | MAX | UNIT   |
|---|-----|--------|-----|--------|
| V <sub>cc</sub> Supply Voltage (5 Volt version)   | 4   | 5      | 12  | Vdc    |
| V <sub>cc</sub> Supply Voltage (3 Volt version)   | 2.2 | 3      | 3.6 | Vdc    |
| I Supply Current ( TX mode)                       |     | 21     |     | mA     |
| I <sub>s</sub> Current Consumption (standby mode) |     | < 1    |     | μA     |
| P <sub>o</sub> RF Power Output                    |     | 11     |     | dBm    |
| F XTAL Frequency                                  |     | 433.92 |     | MHz    |
| F Frequency Tolerance                             |     | +/- 20 |     | KHz    |
| Max Data Rate                                     |     |        | 50  | Kbit/s |
| Power Up Time                                     |     |        | 1   | ms     |
| T <sub>OP</sub> Operating Temperature Range       | -25 |        | +80 | °C     |

### Pin Description

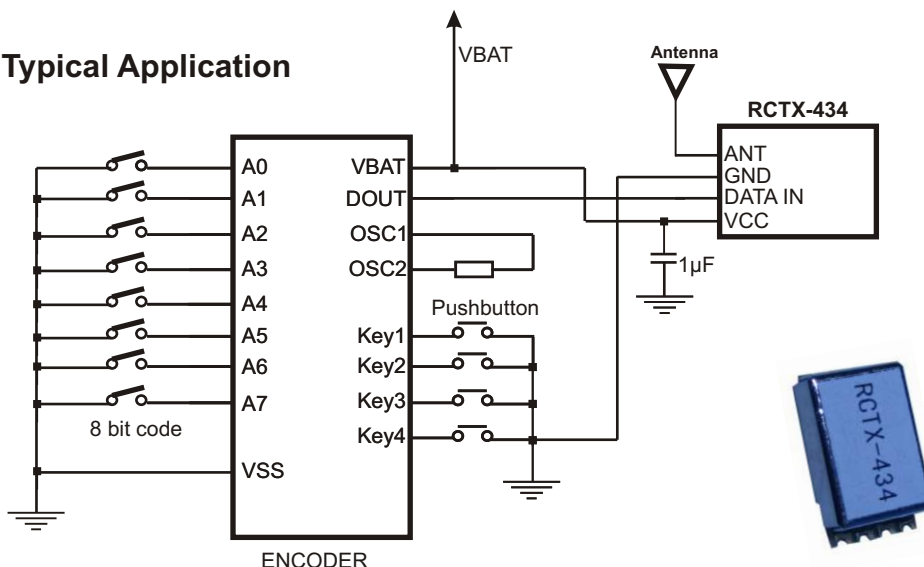
| Pads | Name    | Description      |
|------|---------|------------------|
| 1    | ANT     | External Antenna |
| 2    | GND     | Ground           |
| 3    | DATA IN | Data Input       |
| 4    | VCC     | Power Supply     |



### Mechanical dimensions



### Typical Application



### Applications :

- Wireless security systems
- Home and building automation
- Automatic Measure Reading
- Wireless Sensor Network